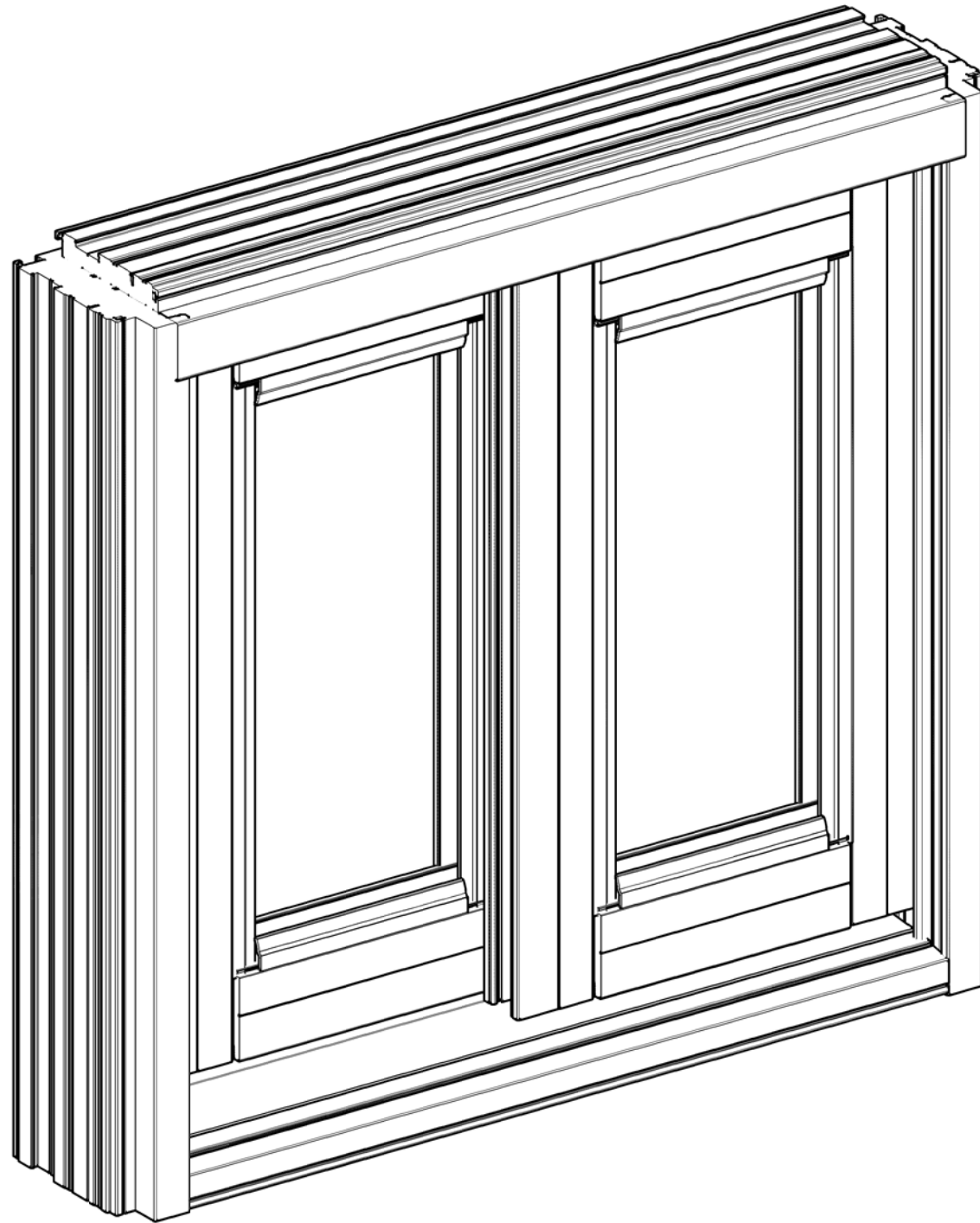


FOUR SEASONS SOLAR PRODUCTS, LLC

SERIES S-7500 PVC SLIDING PATIO DOOR (NON-IMPACT)



GENERAL NOTES:

- THIS SYSTEM AND GLASS TYPES DESCRIBED HEREIN COMPLY AND HAVE BEEN DESIGNED AND TESTED IN ACCORDANCE WITH THE FLORIDA BUILDING CODE SEVENTH EDITION (2020) PER
 - ASTM E 283, ASTM E 330
 - AAMA/WDMA/CSA 101/1.S.2/A440-11
 - AAMA/WDMA/CSA 101/1.S.2/A440-08
- SITE-SPECIFIC REQUIRED DESIGN PRESSURES SHALL BE CALCULATED BY A LICENSED PROFESSIONAL ENGINEER FOR USE WITH THIS DOCUMENT PER CURRENT ADOPTED EDITION OF ASCE 7 AND WITH LOCAL CODE REQUIREMENTS.
- THIS SYSTEM IS NON-IMPACT, NON-HVHZ RATED.
- DESIGN PRESSURES NOTED HEREIN ARE BASED ON MAXIMUM TESTED PRESSURES DIVIDED BY A 1.5 SAFETY FACTOR.
- NO 33-1/3% INCREASE IN ALLOWABLE STRESS HAS BEEN USED IN THE DESIGN OF THIS SYSTEM. WIND LOAD DURATION FACTOR $C_d=1.6$ HAS BEEN USED FOR WOOD ANCHOR DESIGN.
- THE ARCHITECT/ENGINEER OF RECORD FOR THE PROJECT SUPERSTRUCTURE WITH WHICH THIS DESIGN IS USED SHALL BE RESPONSIBLE FOR THE INTEGRITY OF ALL SUPPORTING SURFACES TO THIS DESIGN WHICH SHALL BE COORDINATED BY THE PERMITTING CONTRACTOR. WOOD BUCKS (BY OTHERS) SHALL BE ANCHORED PROPERLY TO TRANSFER LOADS TO THE EXISTING STRUCTURE.
- THE SYSTEM DETAILED HEREIN IS GENERIC AND DOES NOT PROVIDE INFORMATION FOR A SPECIFIC SITE. FOR SITE CONDITIONS DIFFERENT FROM THE CONDITIONS DETAILED HEREIN, A LICENSED ENGINEER OR REGISTERED ARCHITECT SHALL PREPARE SITE SPECIFIC DOCUMENTS FOR USE IN CONJUNCTION WITH THIS DOCUMENT.
- THE CONTRACTOR IS RESPONSIBLE TO INSULATE ALL MEMBERS FROM DISSIMILAR MATERIALS TO PREVENT ELECTROLYSIS.
- FASTENERS SHALL BE CADMIUM-PLATED OR OTHERWISE CORROSION-RESISTANT MATERIAL AND SHALL COMPLY WITH "SPECIFICATIONS FOR ALUMINUM STRUCTURES" SECTION J.3.7.2 BY THE ALUMINUM ASSOCIATION, INC., & ANY APPLICABLE FEDERAL, STATE, AND/OR LOCAL CODES
- ENGINEER SEAL AFFIXED HERE TO VALIDATES STRUCTURAL DESIGN AS SHOWN ONLY. USE OF THIS SPECIFICATION BY CONTRACTOR, et. al, INDEMNIFIES & SAVES HARMLESS THIS ENGINEER FOR ALL COST & DAMAGES INCLUDING LEGAL FEES & APPELLATE FEES RESULTING FROM MATERIAL FABRICATION, SYSTEM ERECTION, & CONSTRUCTION PRACTICES BEYOND THAT WHICH IS CALLED FOR BY LOCAL, STATE, & FEDERAL CODES & FROM DEVIATIONS OF THIS PLAN.
- EXCEPT AS EXPRESSLY PROVIDED HEREIN, NO ADDITIONAL CERTIFICATIONS OR AFFIRMATIONS ARE INTENDED.
- PRESSURE VALUES ON THIS APPROVAL ARE (ASD) ALLOWABLE DESIGN PRESSURES.
- ALTERATIONS, ADDITIONS, OR OTHER MARKINGS TO THIS DOCUMENT ARE NOT PERMITTED AND INVALIDATE THIS CERTIFICATION.
- SAFEGUARDS MUST BE OBSERVED (NOT IN THIS CERTIFICATION)
- PRODUCT SHALL BE PERMANENTLY LABELED WITH A MINIMUM OF ONE LABEL PER SYSTEM CONTAINING THE FOLLOWING:

SHEET INDEX

# SHEET	DESCRIPTION
01	COVER SHEET
02-04	ELEVATIONS
05-07	GLASS TYPE & PANEL LOADING TABLES
08-10	ANCHOR CHARTS AND FASTENER SCHEDULE
11-16	STANDARD FRAMING DETAILS
17	PART LIST
18	BILL OF MATERIALS
18	TOTAL

VISIT ECALC.IO/33492
FOR HELPFUL RESOURCES, SITE SPECIFIC JOB ORDERING & MORE INFORMATION ABOUT THIS PRODUCT & RELATED SERVICES



FRANK BENNARDO, P.E.
PE# 0046549 CA# 9885



FL#36955.1



CORPORATE OFFICE:
160 SW 12th AVE, SUITE 106
DEERFIELD BEACH, FL 33442
(954) 354-0660 | (866) 396-9999
TEAM@ENGINEERINGEXPRESS.COM
ENGINEERINGEXPRESS.COM

FOUR SEASONS SOLAR PRODUCTS, LLC.

5005 VETERANS MEMORIAL HIGHWAY
HOLBROOK, NY 11741
PH: (631) 563-4000

SERIES S-7500
PVC SLIDING PATIO DOOR

REMARKS	DATE
INIT ISSUE	12/21/20

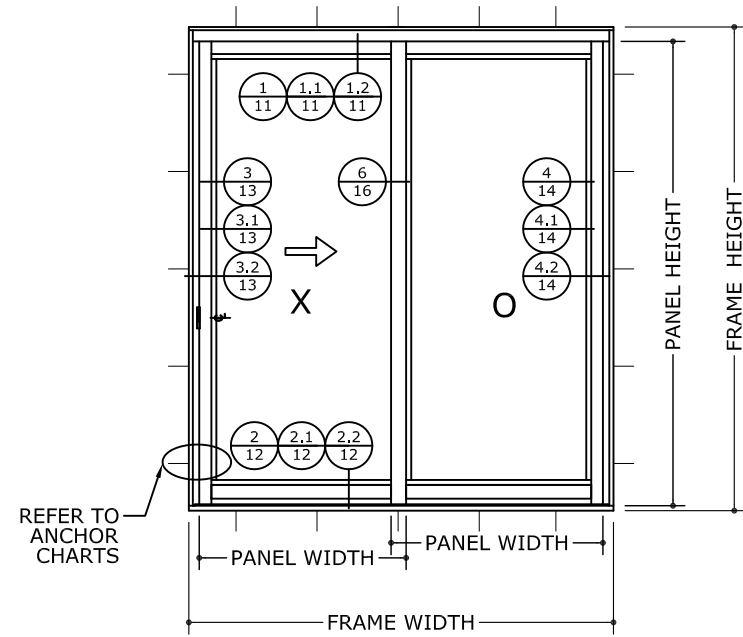
COPYRIGHT ENGINEERING EXPRESS®

20-33492

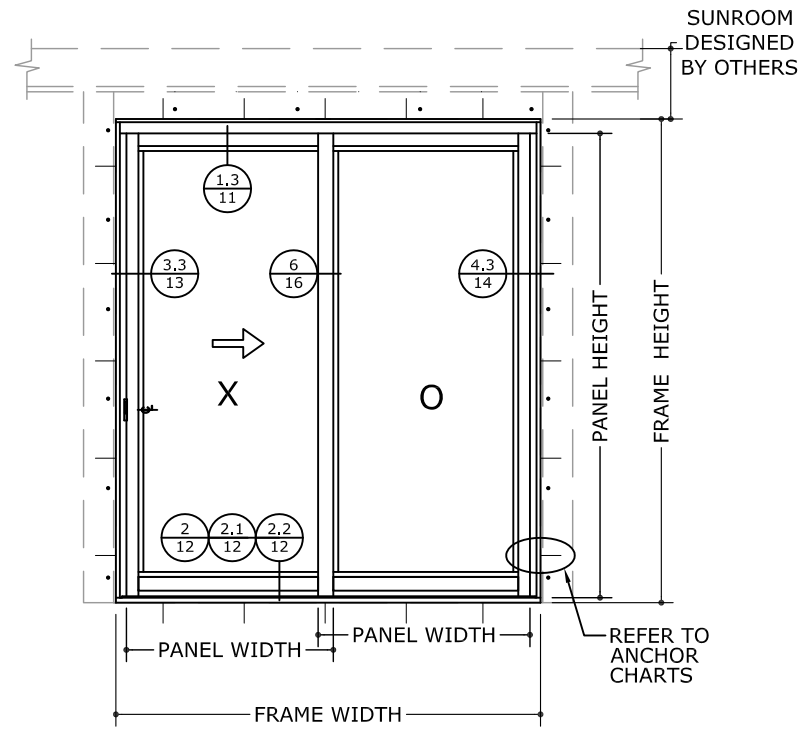
SCALE: NTS UNLESS NOTED

01 OF 18

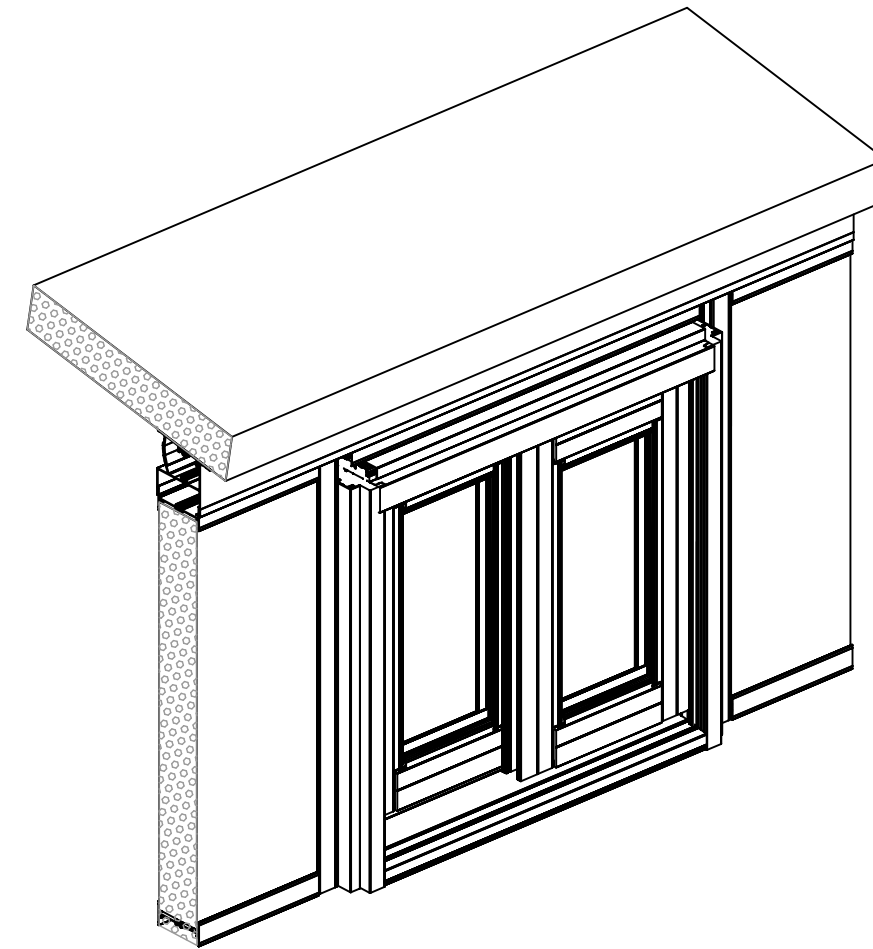
PVC SLIDING DOOR (XO) ELEVATION



TYPICAL ELEVATION



SUNROOM ELEVATION



DOOR INSIDE SUNROOM OPTION

MAX. DESIGN PRESSURE:

+55.0 PSF, -55.0 PSF

WATER INFILTRATION NOTE:

WATER RESISTANCE PER ASTM E 547 = 9.00 P.S.F

MAXIMUM PANEL AREA:

PANEL AREA NOT TO EXCEED 19.20 SQ. FT

INSTRUCTIONS TO DETERMINE DESIGN PRESSURE RATING

- STEP ①: USE THE PANEL LOADING TABLES TO DETERMINE THE ALLOWABLE PRESSURE.
- STEP ②: USE THE ANCHOR LOADING TABLE TO DETERMINE THE ALLOWABLE PRESSURES FOR THE ANCHORS.
- STEP ③: THE MINIMUM VALUE BETWEEN STEP ① AND STEP ② WILL DETERMINE THE DESIGN LOAD PRESSURE FOR THE STORERFRONT SYSTEM.

FRANK BENNARDO, P.E.
PE# 0046549 CA# 9885



FL#36955.1



CORPORATE OFFICE:
160 SW 12th AVE, SUITE 106
DEERFIELD BEACH, FL 33442
(954) 354-0660 | (866) 396-9999
TEAM@ENGINEERINGEXPRESS.COM
ENGINEERINGEXPRESS.COM

FOUR SEASONS SOLAR PRODUCTS, LLC.
5005 VETERANS MEMORIAL HIGHWAY
HOLBROOK, NY 11741
PH: (631) 563-4000

SERIES S-7500
PVC SLIDING PATIO DOOR

REMARKS	DRWN	CHKD	DATE
INIT ISSUE	JEM	AJP	12/21/20

COPYRIGHT ENGINEERING EXPRESS®

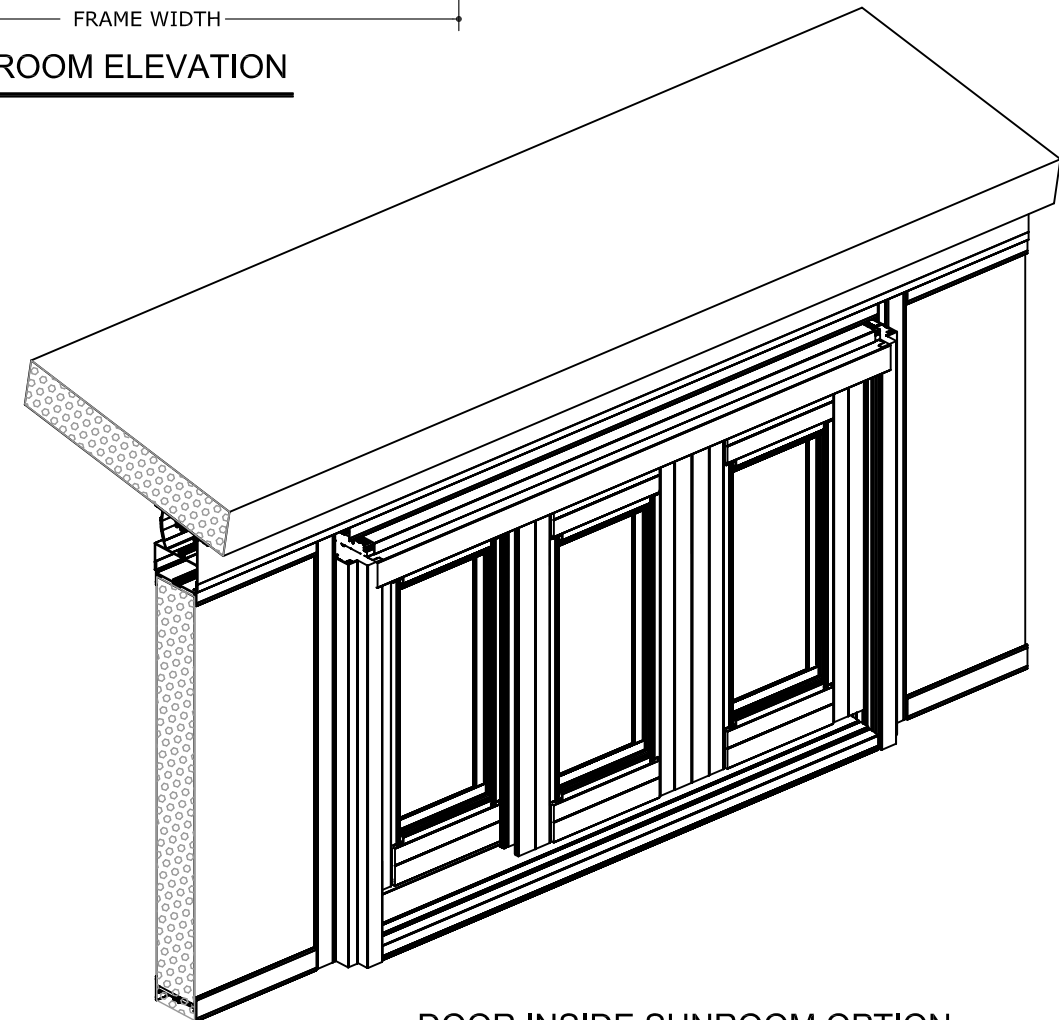
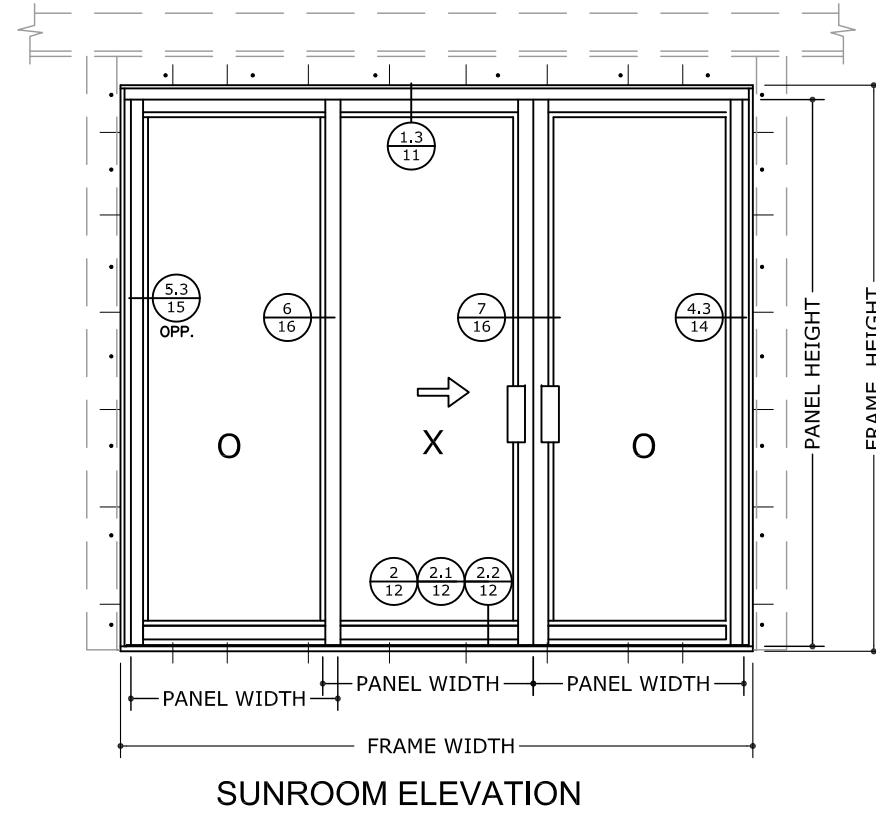
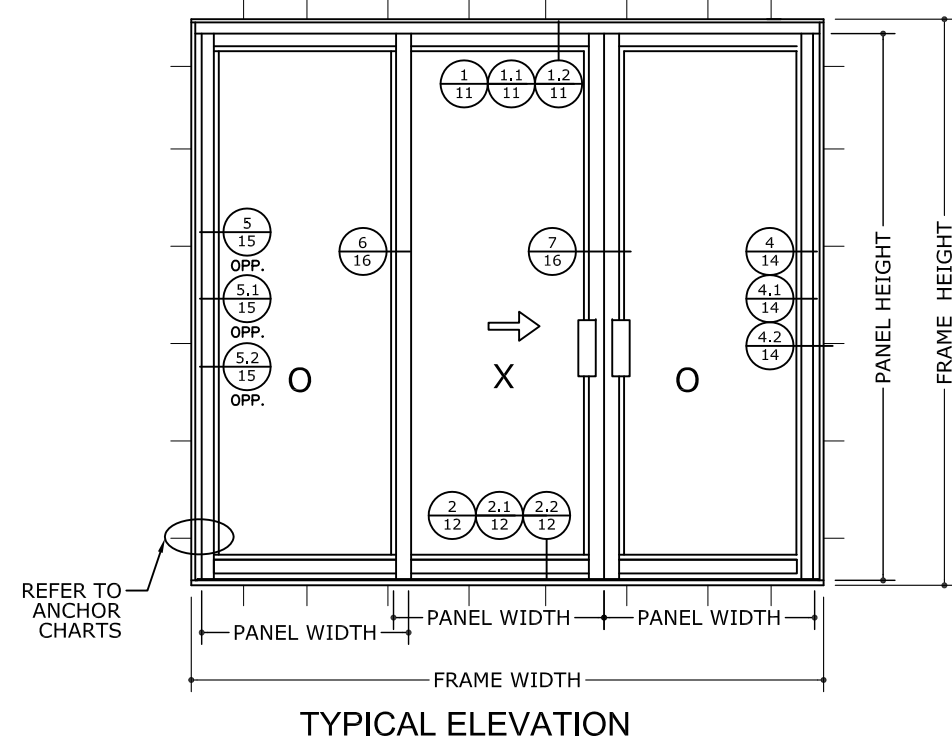
20-33492

SCALE: NTS UNLESS NOTED

02 OF 18

C:\Users\joem\appdata\local\temp\AcPublish_6716120-33492b PVC Sliding doors (2020 FSA).dwg joem 12/21/2020 - 4:21pm

PVC SLIDING DOOR (0XO) ELEVATION



MAX. DESIGN PRESSURE:
+40.1 PSF, -40.1PSF

WATER INFILTRATION NOTE:
WATER RESISTANCE PER ASTM E 547 = 6.89 P.S.F

MAXIMUM PANEL AREA:
PANEL AREA NOT TO EXCEED 22.57 SQ. FT

INSTRUCTIONS TO DETERMINE DESIGN PRESSURE RATING

STEP ①: USE THE PANEL LOADING TABLES TO DETERMINE THE ALLOWABLE PRESSURE.

STEP ②: USE THE ANCHOR LOADING TABLE TO DETERMINE THE ALLOWABLE PRESSURES FOR THE ANCHORS.

STEP ③: THE MINIMUM VALUE BETWEEN STEP ① AND STEP ② WILL DETERMINE THE DESIGN LOAD PRESSURE FOR THE STORERFRONT SYSTEM.

FRANK BENNARDO, P.E.
PE# 0046549 CA# 9885



FL#36955.1

ENGINEERING EXPRESS
CORPORATE OFFICE:
160 SW 12th AVE, SUITE 106
DEERFIELD BEACH, FL 33442
(954) 354-0660 | (866) 396-9999
TEAM@ENGINEERINGEXPRESS.COM
ENGINEERINGEXPRESS.COM

FOUR SEASONS SOLAR PRODUCTS, LLC.
5005 VETERANS MEMORIAL HIGHWAY
HOLBROOK, NY 11741
PH: (631) 563-4000

SERIES S-7500
PVC SLIDING PATIO DOOR

REMARKS	DRWN	CHKD	DATE
INIT ISSUE	JEM	AJP	12/21/20

COPYRIGHT ENGINEERING EXPRESS®

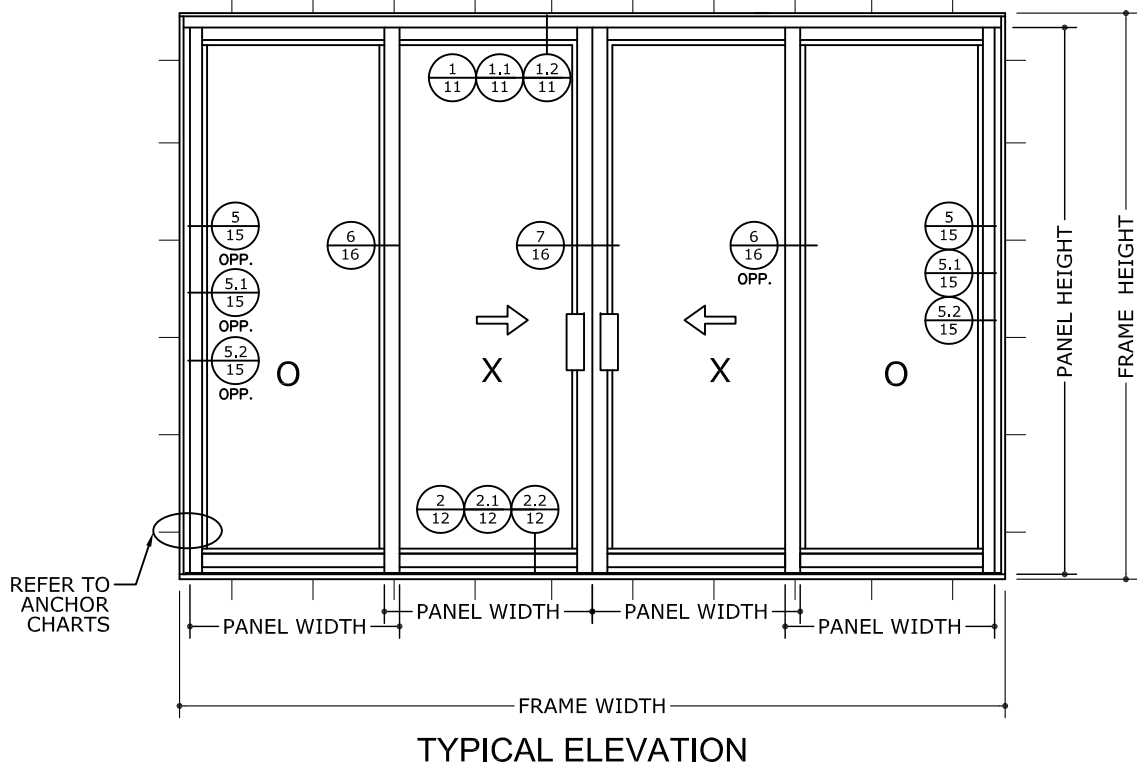
20-33492

SCALE: NTS UNLESS NOTED

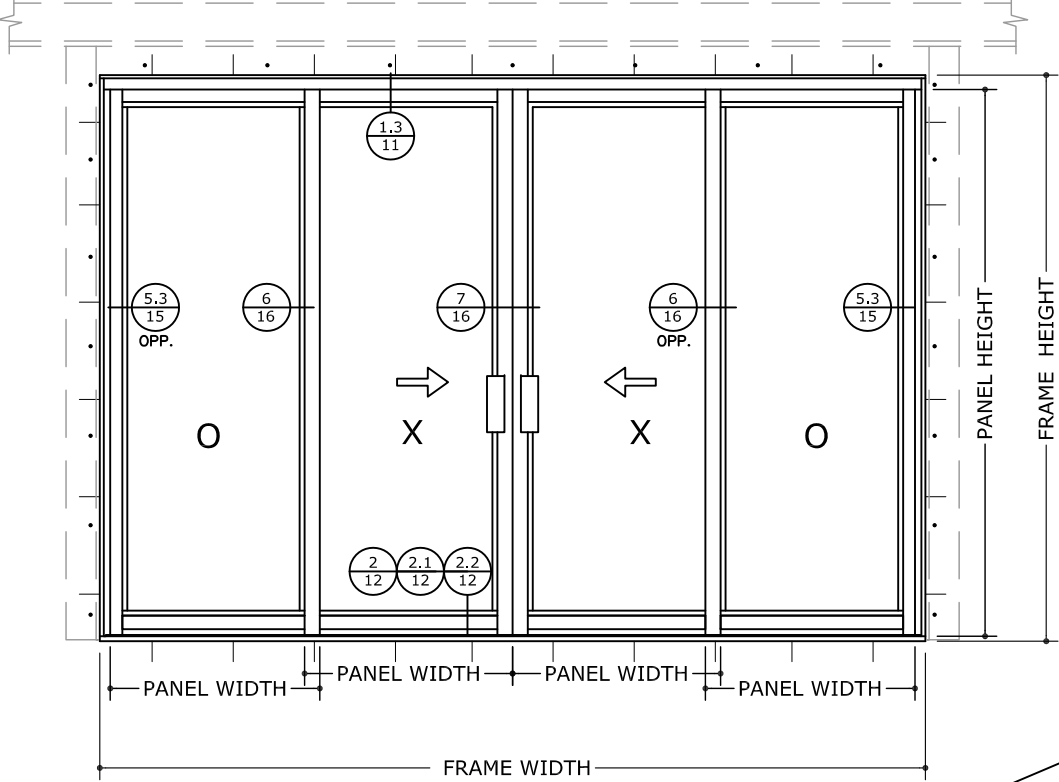
03 OF 18

C:\Users\joem\appdata\local\temp\AcP\publish_6716120-33492b PVC Sliding doors (2020 FSA).dwg joem 12/21/2020 - 4:21pm

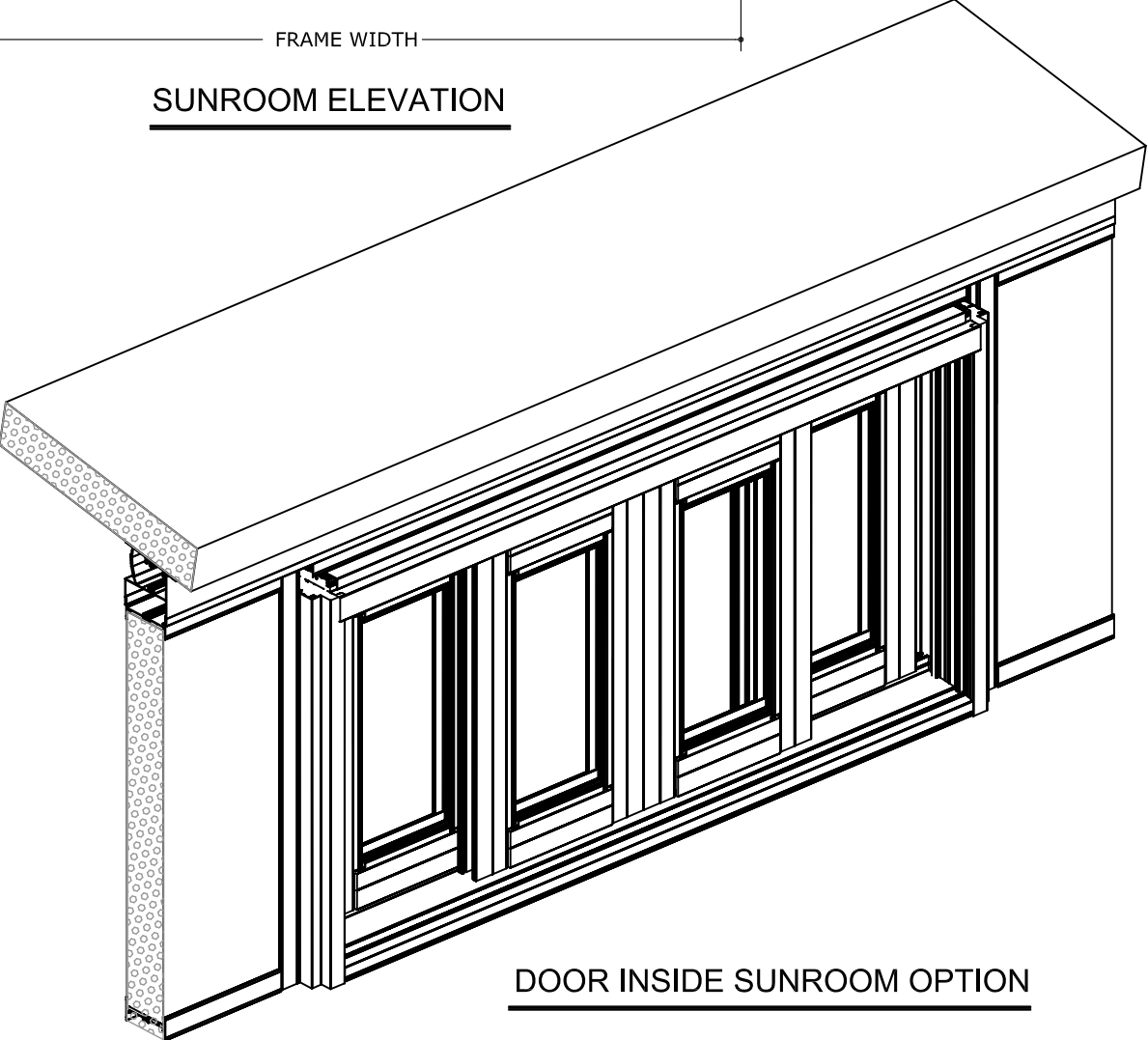
PVC SLIDING DOOR (0XXO) ELEVATION



TYPICAL ELEVATION



SUNROOM ELEVATION



DOOR INSIDE SUNROOM OPTION

MAX. DESIGN PRESSURE:
+40.1 PSF, -40.1PSF

WATER INFILTRATION NOTE:
WATER RESISTANCE PER ASTM E 547 = 6.89 P.S.F

MAXIMUM PANEL AREA:
PANEL AREA NOT TO EXCEED 22.57 SQ. FT

INSTRUCTIONS TO DETERMINE DESIGN PRESSURE RATING

STEP ①: USE THE PANEL LOADING TABLES TO DETERMINE THE ALLOWABLE PRESSURE.

STEP ②: USE THE ANCHOR LOADING TABLE TO DETERMINE THE ALLOWABLE PRESSURES FOR THE ANCHORS.

STEP ③: THE MINIMUM VALUE BETWEEN STEP ① AND STEP ② WILL DETERMINE THE DESIGN LOAD PRESSURE FOR THE STORERFRONT SYSTEM.

FRANK BENNARDO, P.E.
PE# 0046549 CA# 9885



FL#36955.1

ENGINEERING EXPRESS®
CORPORATE OFFICE:
160 SW 12th AVE, SUITE 106
DEERFIELD BEACH, FL 33442
(954) 354-0660 | (866) 396-9999
TEAM@ENGINEERINGEXPRESS.COM
ENGINEERINGEXPRESS.COM

FOUR SEASONS SOLAR PRODUCTS, LLC.
5005 VETERANS MEMORIAL HIGHWAY
HOLBROOK, NY 11741
PH: (631) 563-4000

SERIES S-7500
PVC SLIDING PATIO DOOR

DRWN	CHKD	DATE
JEM	AJP	12/21/20

REMARKS
INIT ISSUE

COPYRIGHT ENGINEERING EXPRESS®

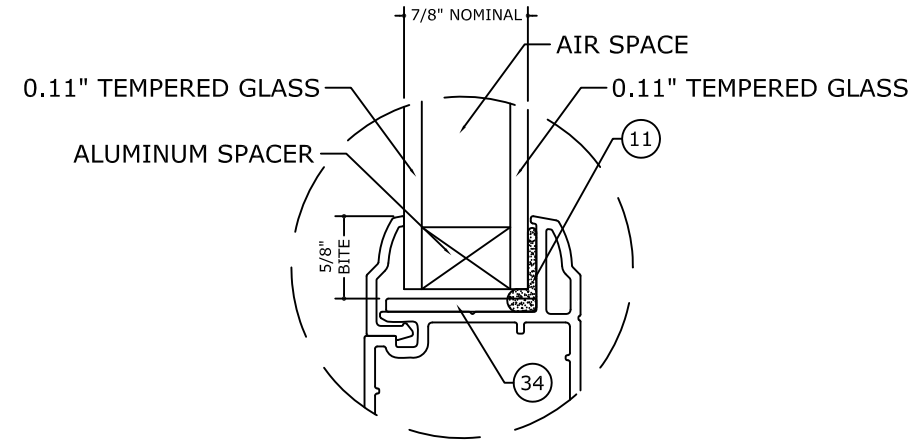
20-33492

SCALE: NTS UNLESS NOTED

04 OF 18

GLASS TYPES

NOTE: GLASS SIZE = DLO + 1-1/4"



GLASS TYPE \diamond G1

GLAZING DETAIL
 N.T.S.

FRANK BENNARDO, P.E.
 PE# 0046549 CA# 9885



FL#36955.1

ENGINEERING EXPRESS
 CORPORATE OFFICE:
 160 SW 12th AVE, SUITE 106
 DEERFIELD BEACH, FL 33442
 (954) 354-0660 | (866) 396-9999
 TEAM@ENGINEERINGEXPRESS.COM
 ENGINEERINGEXPRESS.COM

FOUR SEASONS SOLAR PRODUCTS, LLC.
 5005 VETERANS MEMORIAL HIGHWAY
 HOLBROOK, NY 11741
 PH: (631) 563-4000
 SERIES S-7500
 PVC SLIDING PATIO DOOR

REMARKS	DRWN	CHKD	DATE
INIT ISSUE	JEM	AJP	12/21/20

COPYRIGHT ENGINEERING EXPRESS®

20-33492

SCALE: NTS UNLESS NOTED

05 OF 18

PANEL LOADING TABLES (OX - XO)

GLASS TYPE		G1	
		ALLOWABLE PRESSURE	
PANEL HEIGHT (in)	PANEL WIDTH (in)	(+) P.S.F	(-) P.S.F
77.50	24	55	77
	30	55	64
	32	55	61
	34	55	59
	36	-	-
	42	-	-
	48	-	-
80	24	55	74
	30	55	62
	32	55	59
	34	53	56
	36	-	-
	42	-	-
	48	-	-
82	24	55	72
	30	55	60
	32	52	57
	34	49	55
	36	-	-
	42	-	-
	48	-	-
84	24	55	70
	30	51	57
	32	48	54
	34	-	-
	36	-	-
	42	-	-
	48	-	-
90	24	51	57
	30	41	46
	32	-	-
	34	-	-
	36	-	-
	42	-	-
96	24	41	46
	30	-	-
	32	-	-
	34	-	-
	36	-	-
	42	-	-

NOTE: PANEL AREA NOT TO EXCEED 19.20 SQ. FT.

FRANK BENNARDO, P.E.
PE# 0046549 CA# 9885



FL#36955.1

ENGINEERING EXPRESS
CORPORATE OFFICE:
160 SW 12th AVE, SUITE 106
DEERFIELD BEACH, FL 33442
(954) 354-0660 | (866) 396-9999
TEAM@ENGINEERINGEXPRESS.COM
ENGINEERINGEXPRESS.COM

FOUR SEASONS SOLAR PRODUCTS, LLC.
5005 VETERANS MEMORIAL HIGHWAY
HOLBROOK, NY 11741
PH: (631) 563-4000
SERIES S-7500
PVC SLIDING PATIO DOOR

REMARKS	DRWN	CHKD	DATE
INIT ISSUE	JEM	AJP	12/21/20

COPYRIGHT ENGINEERING EXPRESS®

20-33492

SCALE: NTS UNLESS NOTED

06 OF 18

PANEL LOADING TABLES (OX - XO - OXO - OXXO)

FRANK BENNARDO, P.E.
PE# 0046549 CA# 9885



FL#36955.1

ENGINEERING EXPRESS
CORPORATE OFFICE:
160 SW 12th AVE, SUITE 106
DEERFIELD BEACH, FL 33442
(954) 354-0660 | (866) 396-9999
TEAM@ENGINEERINGEXPRESS.COM
ENGINEERINGEXPRESS.COM

FOUR SEASONS SOLAR PRODUCTS, LLC.
5005 VETERANS MEMORIAL HIGHWAY
HOLBROOK, NY 11741
PH: (631) 563-4000
SERIES S-7500
PVC SLIDING PATIO DOOR

REMARKS	DRWN	CHKD	DATE
INIT ISSUE	JEM	AJP	12/21/20

COPYRIGHT ENGINEERING EXPRESS®

20-33492

SCALE: NTS UNLESS NOTED

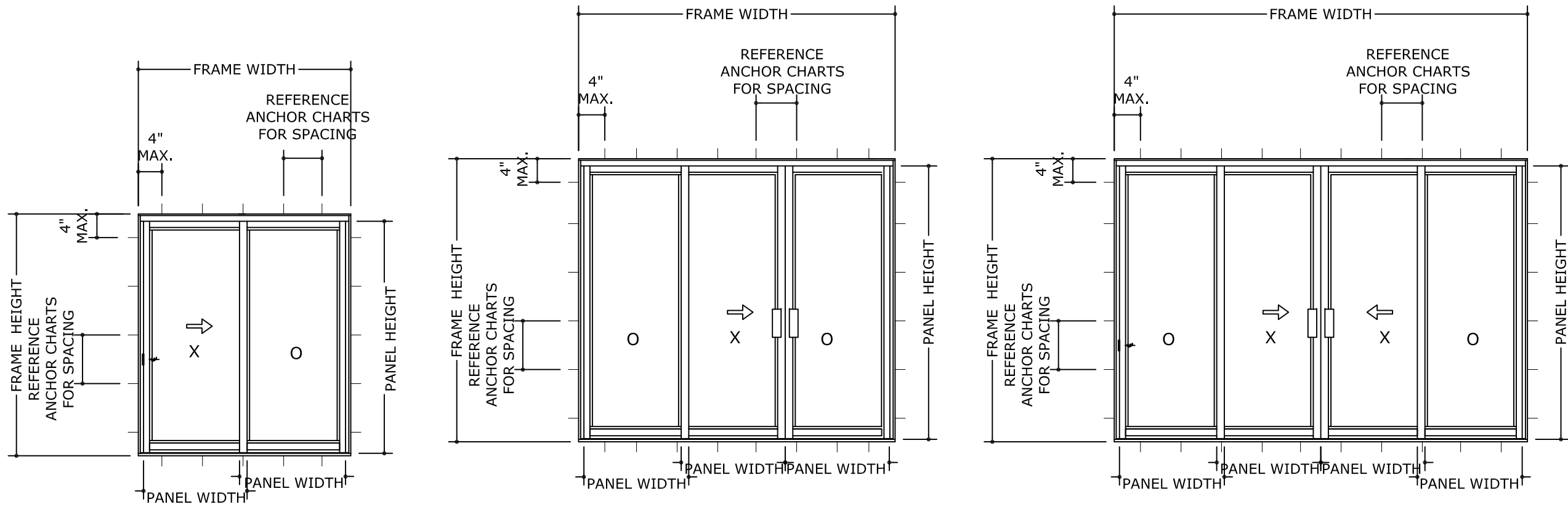
07 OF 18

GLASS TYPE		G1	
		ALLOWABLE PRESSURE	
PANEL HEIGHT (in)	PANEL WIDTH (in)	(+) P.S.F	(-) P.S.F
77.50	24	40	60
	30	40	57
	32	40	54
	34	40	52
	36	40	50
	42	40	45
	48	-	-
80	24	40	60
	30	40	55
	32	40	52
	34	40	50
	36	40	48
	42	-	-
	48	-	-
84	24	40	60
	30	40	51
	32	40	49
	34	40	47
	36	40	45
	42	-	-
	48	-	-
90	24	40	57
	30	40	47
	32	40	45
	34	40	43
	36	40	41
	42	-	-
	48	-	-
96	24	40	53
	30	40	44
	32	40	41
	34	40	40
	36	-	-
	42	-	-
	48	-	-
102	24	40	46
	30	39	37
	32	37	35
	34	-	-
	36	-	-
	42	-	-
	48	-	-

GLASS TYPE		G1	
		ALLOWABLE PRESSURE	
PANEL HEIGHT (in)	PANEL WIDTH (in)	(+) P.S.F	(-) P.S.F
108	24	40	39
	30	33	31
	32	-	-
	34	-	-
	36	-	-
	42	-	-
	48	-	-
114	24	34	33
	30	-	-
	32	-	-
	34	-	-
	36	-	-
	42	-	-
	48	-	-
120	24	29	28
	30	-	-
	32	-	-
	34	-	-
	36	-	-
	42	-	-
	48	-	-

NOTE: PANEL AREA NOT TO EXCEED 22.57 SQ. FT.

FASTENER SCHEDULE



ANCHOR SCHEDULE						
ANCHOR TYPE	ANCHOR DIAMETER	TYPE	MANUFACTURER	SUBSTRATE	MIN. EMBEDMENT (IN)	MIN. EDGE DISTANCE (IN)
A	3/16"	ULTRACON ANCHOR	DEWALT	POURED CONCRETE 3000 PSI MIN.	1-3/4	2-1/2
B	#8-18	SELF DRILLING SCREW GRADE 5	-	1/8" STEEL-A 36 MIN.	FULL - 3 PITCHES PAST THE THREAD PLANE	1-1/2
				1/8" ALUMINUM-6063-T6		
C	#8	WOOD SCREW	-	2X WOOD BUCK G=0.55	1-1/2	1-1/2

FRANK BENNARDO, P.E.
PE# 0046549 CA# 9885



FL#36955.1

ENGINEERING EXPRESS
 CORPORATE OFFICE:
 160 SW 12th AVE, SUITE 106
 DEERFIELD BEACH, FL 33442
 (954) 354-0660 | (866) 396-9999
 TEAM@ENGINEERINGEXPRESS.COM
 ENGINEERINGEXPRESS.COM

FOUR SEASONS SOLAR PRODUCTS, LLC.
 5005 VETERANS MEMORIAL HIGHWAY
 HOLBROOK, NY 11741
 PH: (631) 563-4000

SERIES S-7500
 PVC SLIDING PATIO DOOR

REMARKS	DATE
INIT ISSUE	12/21/20

20-33492

SCALE: NTS UNLESS NOTED

C:\Users\joem\appdata\local\temp\AcPublish_6716120-33492b PVC Sliding doors (2020 FSA).dwg joem 12/21/2020 - 4:22pm

ANCHOR CHARTS

FRANK BENNARDO, P.E.
PE# 0046549 CA# 9885



FL#36955.1

ENGINEERING EXPRESS
CORPORATE OFFICE:
160 SW 12th AVE, SUITE 106
DEERFIELD BEACH, FL 33442
(954) 354-0660 | (866) 396-9999
TEAM@ENGINEERINGEXPRESS.COM
ENGINEERINGEXPRESS.COM

FOUR SEASONS SOLAR PRODUCTS, LLC.
5005 VETERANS MEMORIAL HIGHWAY
HOLBROOK, NY 11741
PH: (631) 563-4000

SERIES S-7500
PVC SLIDING PATIO DOOR

REMARKS	DRWN	CHKD	DATE
INIT ISSUE	JEM	AJP	12/21/20

COPYRIGHT ENGINEERING EXPRESS®

20-33492

SCALE: NTS UNLESS NOTED

FRAME HEIGHT (H)	TRIBUTARY (W)	TYPE A (CONCRETE)		TYPE B (METAL)		TYPE C (WOOD)	
		HEAD/SILL MAX ANCHOR SPACING (IN)	JAMBS MAX ANCHOR SPACING (IN)	HEAD/SILL MAX ANCHOR SPACING (IN)	JAMBS MAX ANCHOR SPACING (IN)	HEAD/SILL MAX ANCHOR SPACING (IN)	JAMBS MAX ANCHOR SPACING (IN)
72	24	12"O.C.	36"O.C.	12"O.C.	36"O.C.	12"O.C.	36"O.C.
	30	15"O.C.	36"O.C.	15"O.C.	36"O.C.	15"O.C.	36"O.C.
	36	18"O.C.	36"O.C.	18"O.C.	36"O.C.	18"O.C.	24"O.C.
	42	21"O.C.	36"O.C.	21"O.C.	36"O.C.	14"O.C.	24"O.C.
	48	24"O.C.	36"O.C.	24"O.C.	36"O.C.	16"O.C.	24"O.C.
	54	27"O.C.	36"O.C.	18"O.C.	36"O.C.	18"O.C.	24"O.C.
	60	20"O.C.	18"O.C.	15"O.C.	14"O.C.	12"O.C.	12"O.C.
	63	16"O.C.	18"O.C.	16"O.C.	14"O.C.	13"O.C.	12"O.C.
	66	17"O.C.	18"O.C.	17"O.C.	14"O.C.	11"O.C.	12"O.C.
	75	19"O.C.	18"O.C.	15"O.C.	14"O.C.	13"O.C.	12"O.C.
75	24	12"O.C.	25"O.C.	12"O.C.	25"O.C.	12"O.C.	19"O.C.
	30	15"O.C.	25"O.C.	15"O.C.	25"O.C.	10"O.C.	19"O.C.
	36	18"O.C.	25"O.C.	12"O.C.	19"O.C.	12"O.C.	15"O.C.
	42	14"O.C.	19"O.C.	14"O.C.	19"O.C.	11"O.C.	15"O.C.
	48	16"O.C.	19"O.C.	16"O.C.	19"O.C.	12"O.C.	13"O.C.
	54	18"O.C.	19"O.C.	14"O.C.	15"O.C.	11"O.C.	13"O.C.
	60	15"O.C.	19"O.C.	15"O.C.	15"O.C.	12"O.C.	13"O.C.
	63	16"O.C.	19"O.C.	16"O.C.	15"O.C.	11"O.C.	13"O.C.
	66	17"O.C.	19"O.C.	17"O.C.	15"O.C.	11"O.C.	13"O.C.
	75	19"O.C.	19"O.C.	15"O.C.	15"O.C.	13"O.C.	13"O.C.
77.5	24	12"O.C.	26"O.C.	12"O.C.	26"O.C.	12"O.C.	20"O.C.
	30	15"O.C.	26"O.C.	15"O.C.	20"O.C.	10"O.C.	16"O.C.
	36	18"O.C.	26"O.C.	12"O.C.	20"O.C.	12"O.C.	16"O.C.
	42	14"O.C.	20"O.C.	14"O.C.	20"O.C.	11"O.C.	13"O.C.
	48	16"O.C.	20"O.C.	16"O.C.	16"O.C.	12"O.C.	13"O.C.
	54	18"O.C.	20"O.C.	14"O.C.	16"O.C.	11"O.C.	13"O.C.
	60	15"O.C.	20"O.C.	15"O.C.	16"O.C.	12"O.C.	11"O.C.
	63	16"O.C.	20"O.C.	16"O.C.	16"O.C.	11"O.C.	11"O.C.
	66	17"O.C.	16"O.C.	13"O.C.	16"O.C.	11"O.C.	11"O.C.
	75	19"O.C.	16"O.C.	15"O.C.	16"O.C.	11"O.C.	11"O.C.

FRAME HEIGHT (H)	TRIBUTARY (W)	TYPE A (CONCRETE)		TYPE B (METAL)		TYPE C (WOOD)	
		HEAD/SILL MAX ANCHOR SPACING (IN)	JAMBS MAX ANCHOR SPACING (IN)	HEAD/SILL MAX ANCHOR SPACING (IN)	JAMBS MAX ANCHOR SPACING (IN)	HEAD/SILL MAX ANCHOR SPACING (IN)	JAMBS MAX ANCHOR SPACING (IN)
84	24	12"O.C.	28"O.C.	12"O.C.	28"O.C.	8"O.C.	21"O.C.
	30	15"O.C.	28"O.C.	10"O.C.	21"O.C.	10"O.C.	17"O.C.
	36	12"O.C.	21"O.C.	12"O.C.	21"O.C.	9"O.C.	14"O.C.
	42	14"O.C.	21"O.C.	14"O.C.	17"O.C.	11"O.C.	14"O.C.
	48	16"O.C.	21"O.C.	12"O.C.	17"O.C.	11"O.C.	12"O.C.
	54	14"O.C.	17"O.C.	14"O.C.	17"O.C.	11"O.C.	12"O.C.
	60	15"O.C.	17"O.C.	12"O.C.	14"O.C.	10"O.C.	12"O.C.
	63	16"O.C.	17"O.C.	13"O.C.	14"O.C.	11"O.C.	11"O.C.
	66	17"O.C.	17"O.C.	13"O.C.	14"O.C.	11"O.C.	11"O.C.
	75	15"O.C.	17"O.C.	13"O.C.	14"O.C.	11"O.C.	11"O.C.
90	24	12"O.C.	30"O.C.	12"O.C.	30"O.C.	8"O.C.	23"O.C.
	30	15"O.C.	23"O.C.	10"O.C.	23"O.C.	10"O.C.	18"O.C.
	36	12"O.C.	23"O.C.	12"O.C.	18"O.C.	9"O.C.	15"O.C.
	42	14"O.C.	23"O.C.	11"O.C.	18"O.C.	8"O.C.	13"O.C.
	48	16"O.C.	18"O.C.	12"O.C.	15"O.C.	10"O.C.	13"O.C.
	54	14"O.C.	18"O.C.	14"O.C.	15"O.C.	9"O.C.	11"O.C.
	60	15"O.C.	18"O.C.	12"O.C.	15"O.C.	10"O.C.	11"O.C.
	63	16"O.C.	15"O.C.	13"O.C.	15"O.C.	9"O.C.	11"O.C.
	66	13"O.C.	15"O.C.	13"O.C.	13"O.C.	9"O.C.	11"O.C.
	75	15"O.C.	15"O.C.	13"O.C.	13"O.C.	9"O.C.	10"O.C.
96	24	12"O.C.	32"O.C.	12"O.C.	24"O.C.	8"O.C.	19"O.C.
	30	15"O.C.	24"O.C.	10"O.C.	24"O.C.	8"O.C.	16"O.C.
	36	12"O.C.	24"O.C.	12"O.C.	19"O.C.	9"O.C.	16"O.C.
	42	14"O.C.	19"O.C.	11"O.C.	16"O.C.	8"O.C.	14"O.C.
	48	12"O.C.	19"O.C.	12"O.C.	16"O.C.	10"O.C.	12"O.C.
	54	14"O.C.	16"O.C.	11"O.C.	16"O.C.	9"O.C.	12"O.C.
	60	15"O.C.	16"O.C.	12"O.C.	14"O.C.	9"O.C.	11"O.C.
	63	13"O.C.	16"O.C.	13"O.C.	14"O.C.	9"O.C.	11"O.C.
	66	13"O.C.	16"O.C.	11"O.C.	14"O.C.	9"O.C.	11"O.C.
	75	15"O.C.	16"O.C.	13"O.C.	12"O.C.	9"O.C.	10"O.C.

C:\Users\joem\appdata\local\temp\AcP\publish_671620-33492b PVC Sliding doors (2020 FSA).dwg joem 12/21/2020 - 4:22pm

ANCHOR CHARTS

FRANK BENNARDO, P.E.
PE# 0046549 CA# 9885



FL#36955.1

ENGINEERING EXPRESS
CORPORATE OFFICE:
160 SW 12th AVE, SUITE 106
DEERFIELD BEACH, FL 33442
(954) 354-0660 | (866) 396-9999
TEAM@ENGINEERINGEXPRESS.COM
ENGINEERINGEXPRESS.COM

FOUR SEASONS SOLAR PRODUCTS, LLC.
5005 VETERANS MEMORIAL HIGHWAY
HOLBROOK, NY 11741
PH: (631) 563-4000

SERIES S-7500
PVC SLIDING PATIO DOOR

REMARKS	DRWN	CHKD	DATE
INIT ISSUE	JEM	AJP	12/21/20

COPYRIGHT ENGINEERING EXPRESS®

20-33492

SCALE: NTS UNLESS NOTED

10

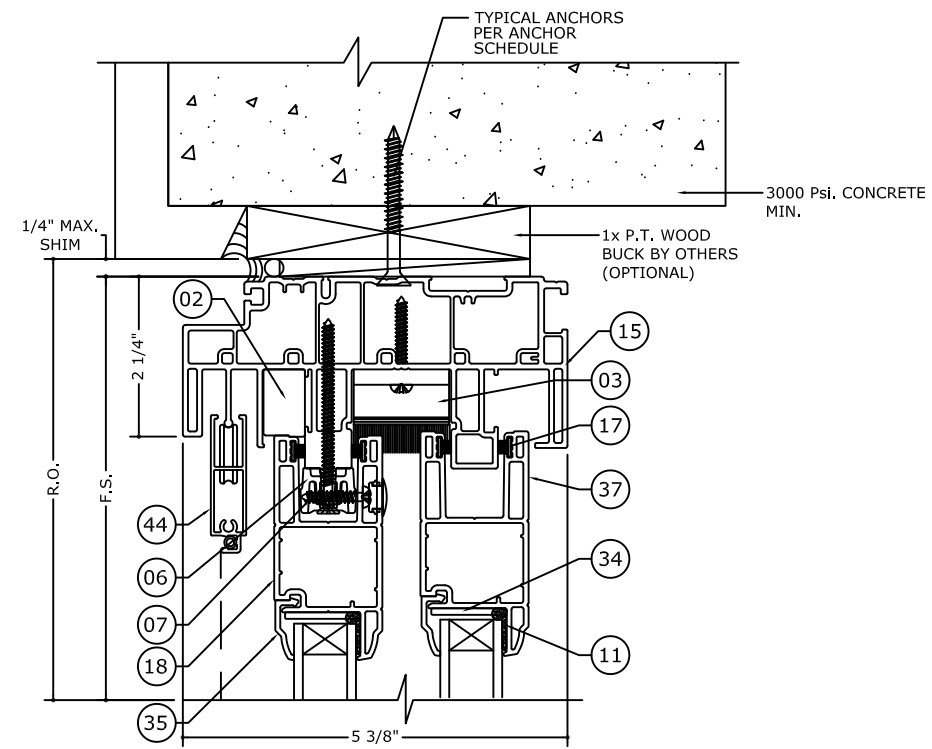
OF 18

FRAME HEIGHT (H)	TRIBUTARY (W)	TYPE A (CONCRETE)		TYPE B (METAL)		TYPE C (WOOD)	
		HEAD/SILL MAX ANCHOR SPACING (IN)	JAMBS MAX ANCHOR SPACING (IN)	HEAD/SILL MAX ANCHOR SPACING (IN)	JAMBS MAX ANCHOR SPACING (IN)	HEAD/SILL MAX ANCHOR SPACING (IN)	JAMBS MAX ANCHOR SPACING (IN)
102	24	12"O.C.	34"O.C.	12"O.C.	26"O.C.	8"O.C.	20"O.C.
	30	10"O.C.	26"O.C.	10"O.C.	20"O.C.	8"O.C.	17"O.C.
	36	12"O.C.	20"O.C.	12"O.C.	20"O.C.	9"O.C.	15"O.C.
	42	14"O.C.	20"O.C.	11"O.C.	17"O.C.	8"O.C.	13"O.C.
	48	12"O.C.	17"O.C.	12"O.C.	17"O.C.	8"O.C.	13"O.C.
	54	14"O.C.	17"O.C.	11"O.C.	15"O.C.	9"O.C.	11"O.C.
	60	12"O.C.	17"O.C.	12"O.C.	15"O.C.	9"O.C.	10"O.C.
	63	13"O.C.	15"O.C.	11"O.C.	13"O.C.	9"O.C.	10"O.C.
	66	13"O.C.	15"O.C.	11"O.C.	13"O.C.	8"O.C.	10"O.C.
	75	13"O.C.	15"O.C.	11"O.C.	13"O.C.	8"O.C.	9"O.C.
108	24	12"O.C.	27"O.C.	8"O.C.	27"O.C.	8"O.C.	22"O.C.
	30	10"O.C.	27"O.C.	10"O.C.	22"O.C.	8"O.C.	18"O.C.
	36	12"O.C.	22"O.C.	9"O.C.	18"O.C.	7"O.C.	15"O.C.
	42	11"O.C.	22"O.C.	11"O.C.	18"O.C.	8"O.C.	14"O.C.
	48	12"O.C.	18"O.C.	10"O.C.	15"O.C.	8"O.C.	12"O.C.
	54	14"O.C.	18"O.C.	11"O.C.	15"O.C.	8"O.C.	11"O.C.
	60	12"O.C.	15"O.C.	10"O.C.	14"O.C.	9"O.C.	11"O.C.
	63	13"O.C.	15"O.C.	11"O.C.	14"O.C.	8"O.C.	10"O.C.
	66	13"O.C.	15"O.C.	11"O.C.	14"O.C.	8"O.C.	10"O.C.
	75	13"O.C.	14"O.C.	11"O.C.	12"O.C.	8"O.C.	9"O.C.
114	24	12"O.C.	29"O.C.	8"O.C.	29"O.C.	8"O.C.	19"O.C.
	30	10"O.C.	23"O.C.	10"O.C.	23"O.C.	8"O.C.	16"O.C.
	36	12"O.C.	23"O.C.	9"O.C.	19"O.C.	7"O.C.	14"O.C.
	42	11"O.C.	19"O.C.	11"O.C.	16"O.C.	7"O.C.	13"O.C.
	48	12"O.C.	19"O.C.	10"O.C.	16"O.C.	8"O.C.	11"O.C.
	54	11"O.C.	16"O.C.	11"O.C.	14"O.C.	8"O.C.	11"O.C.
	60	12"O.C.	16"O.C.	10"O.C.	13"O.C.	8"O.C.	10"O.C.
	63	13"O.C.	14"O.C.	11"O.C.	13"O.C.	8"O.C.	10"O.C.
	66	11"O.C.	14"O.C.	9"O.C.	13"O.C.	8"O.C.	10"O.C.
	75	13"O.C.	14"O.C.	11"O.C.	11"O.C.	8"O.C.	9"O.C.

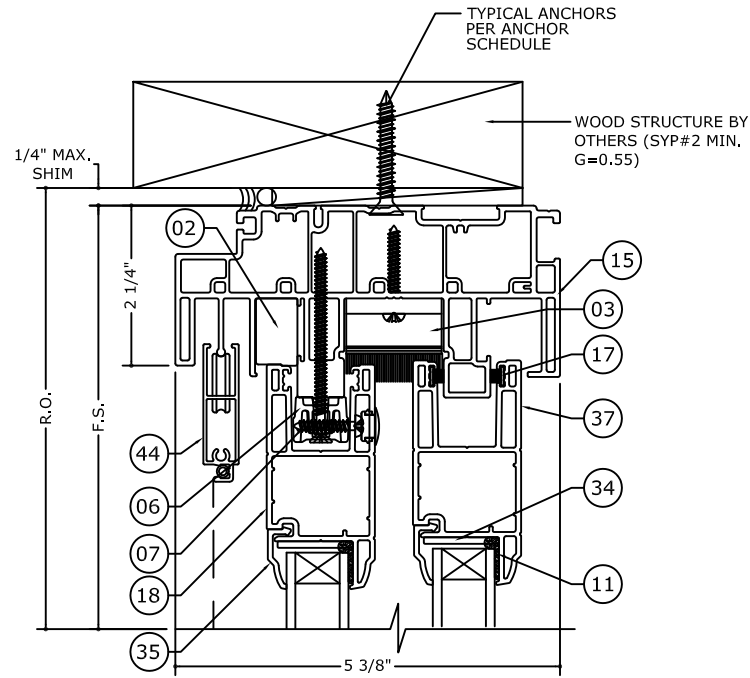
FRAME HEIGHT (H)	TRIBUTARY (W)	TYPE A (CONCRETE)		TYPE B (METAL)		TYPE C (WOOD)	
		HEAD/SILL MAX ANCHOR SPACING (IN)	JAMBS MAX ANCHOR SPACING (IN)	HEAD/SILL MAX ANCHOR SPACING (IN)	JAMBS MAX ANCHOR SPACING (IN)	HEAD/SILL MAX ANCHOR SPACING (IN)	JAMBS MAX ANCHOR SPACING (IN)
120	24	12"O.C.	30"O.C.	8"O.C.	24"O.C.	6"O.C.	20"O.C.
	30	10"O.C.	24"O.C.	10"O.C.	20"O.C.	8"O.C.	17"O.C.
	36	12"O.C.	20"O.C.	9"O.C.	20"O.C.	7"O.C.	15"O.C.
	42	11"O.C.	20"O.C.	8"O.C.	17"O.C.	7"O.C.	13"O.C.
	48	12"O.C.	17"O.C.	10"O.C.	15"O.C.	7"O.C.	12"O.C.
	54	11"O.C.	17"O.C.	9"O.C.	13"O.C.	8"O.C.	11"O.C.
	60	12"O.C.	15"O.C.	10"O.C.	13"O.C.	8"O.C.	10"O.C.
	63	11"O.C.	15"O.C.	9"O.C.	13"O.C.	7"O.C.	10"O.C.
	66	11"O.C.	15"O.C.	9"O.C.	12"O.C.	7"O.C.	9"O.C.
	75	11"O.C.	13"O.C.	9"O.C.	12"O.C.	8"O.C.	9"O.C.

C:\Users\joem\appdata\local\temp\AcPublish_671620-33492b PVC Sliding doors (2020 FSA).dwg joem 12/21/2020 - 4:22pm

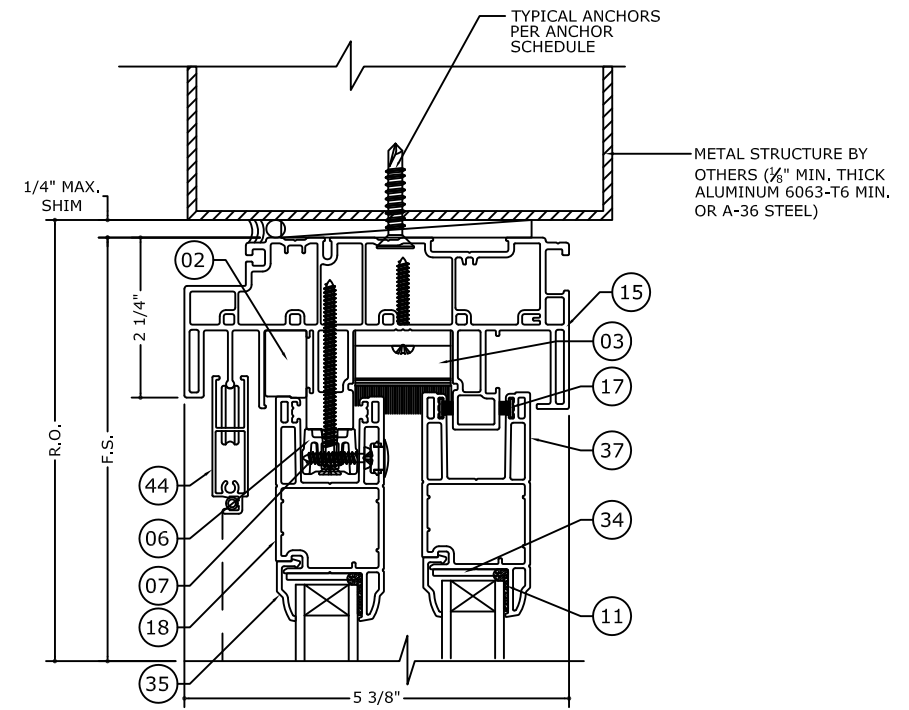
HEAD DETAILS



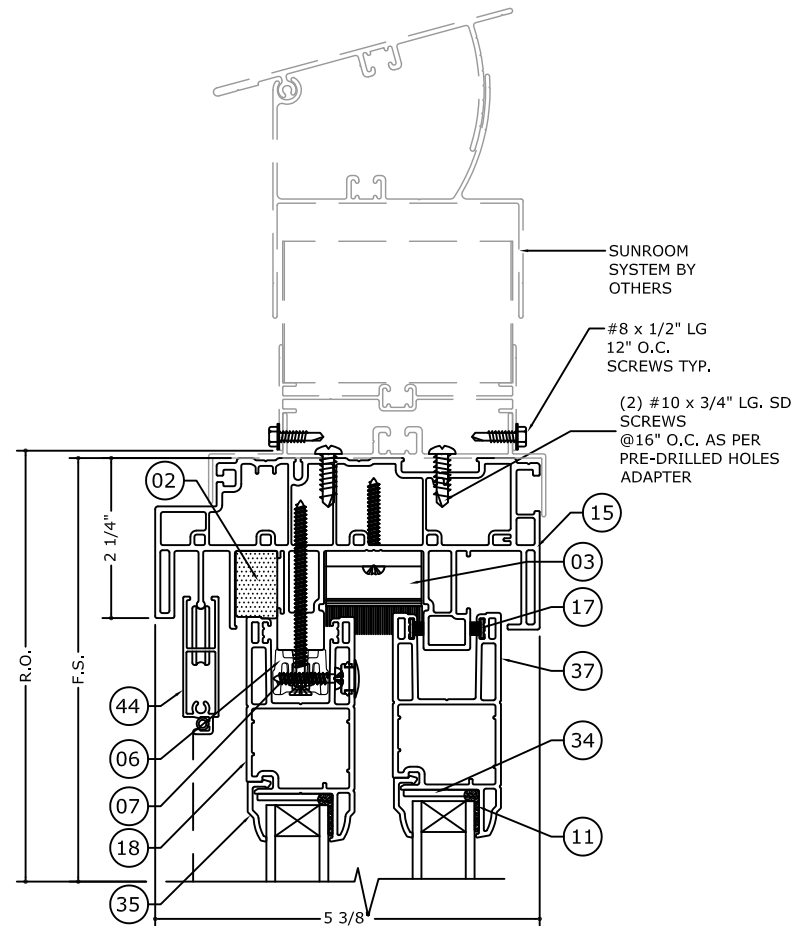
1 HEAD DETAIL
SCALE: N.T.S.



1.1 HEAD DETAIL
SCALE: N.T.S.



1.2 HEAD DETAIL
SCALE: N.T.S.



1.3 HEAD DETAIL
SCALE: N.T.S.

NOTE: REFER TO SYSTEM INSTALLATION MANUAL FOR FABRICATION AND ASSEMBLY INSTRUCTIONS.

FRANK BENNARDO, P.E.
PE# 0046549 CA# 9885



FL#36955.1

ENGINEERING EXPRESS
CORPORATE OFFICE:
160 SW 12th AVE, SUITE 106
DEERFIELD BEACH, FL 33442
(954) 354-0660 | (866) 396-9999
TEAM@ENGINEERINGEXPRESS.COM
ENGINEERINGEXPRESS.COM

FOUR SEASONS SOLAR PRODUCTS, LLC.
5005 VETERANS MEMORIAL HIGHWAY
HOLBROOK, NY 11741
PH: (631) 563-4000
SERIES S-7500
PVC SLIDING PATIO DOOR

REMARKS	DRWN	CHKD	DATE
INIT ISSUE	JEM	AJP	12/21/20

COPYRIGHT ENGINEERING EXPRESS®

20-33492

SCALE: NTS UNLESS NOTED

C:\Users\joem\appdata\local\temp\AcP\publish_6716120-33492b_PVC Sliding doors (2020 FSA).dwg joem 12/21/2020 - 4:22pm

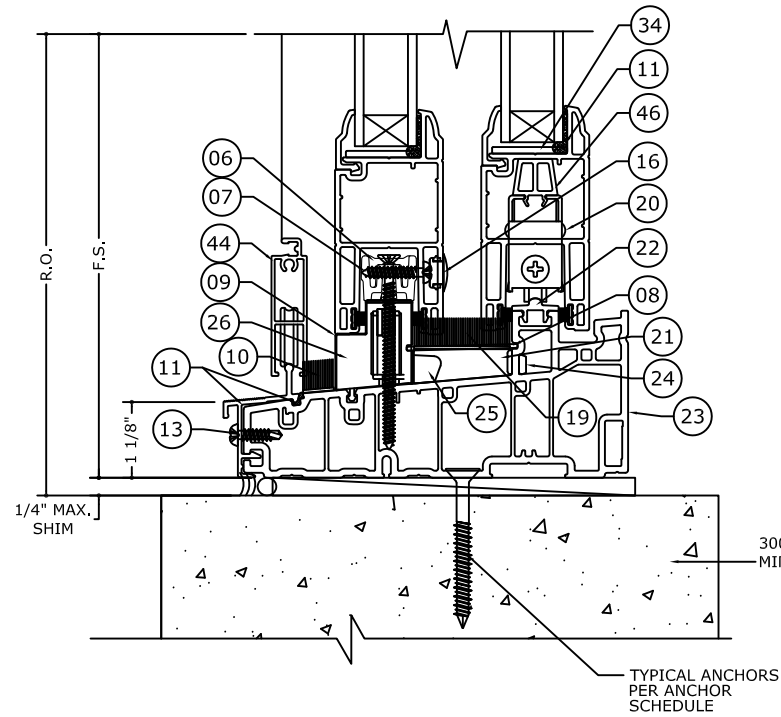
SILL DETAILS

FRANK BENNARDO, P.E.
PE# 0046549 CA# 9885

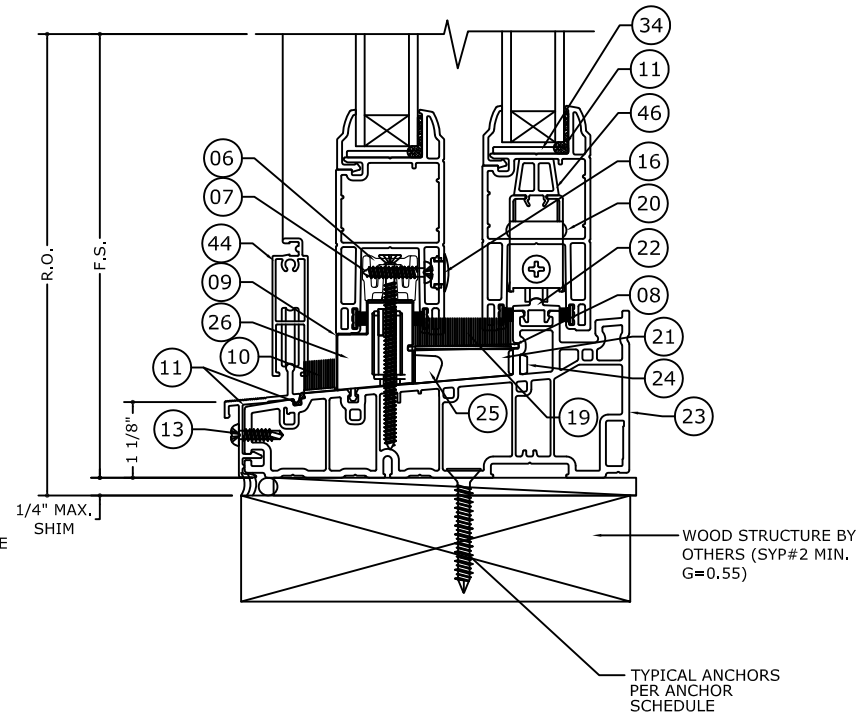


FL#36955.1

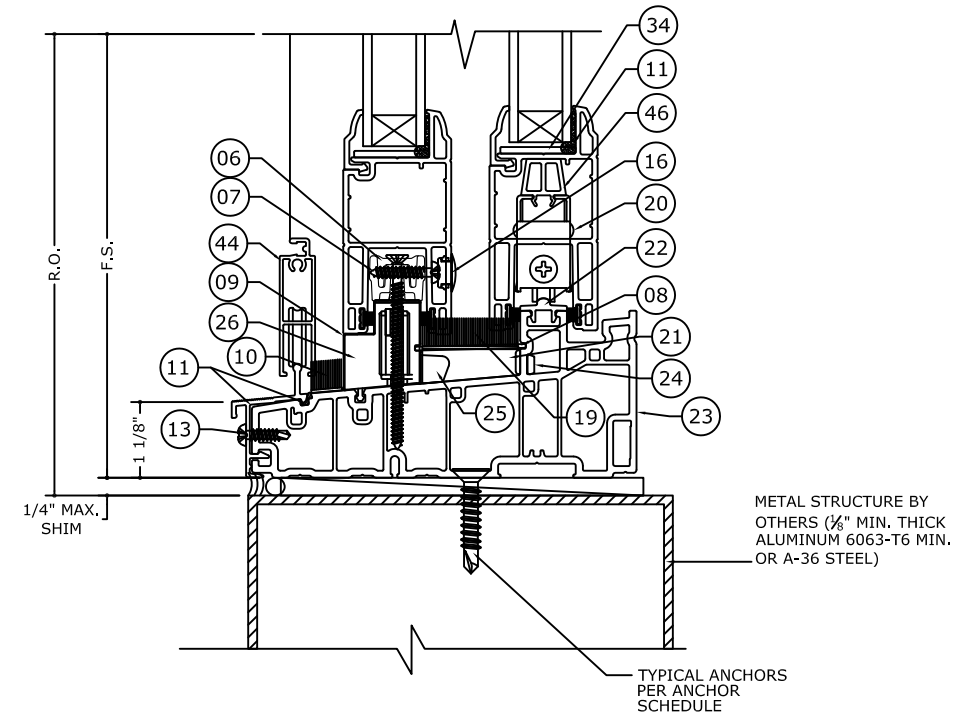
ENGINEERING EXPRESS
CORPORATE OFFICE:
160 SW 12th AVE, SUITE 106
DEERFIELD BEACH, FL 33442
(954) 354-0660 | (866) 396-9999
TEAM@ENGINEERINGEXPRESS.COM
ENGINEERINGEXPRESS.COM



2 SILL DETAIL
SCALE: N.T.S.



2.1 SILL DETAIL
SCALE: N.T.S.



2.2 SILL DETAIL
SCALE: N.T.S.

METAL STRUCTURE BY OTHERS (1/8" MIN. THICK ALUMINUM 6063-T6 MIN. OR A-36 STEEL)

NOTE: REFER TO SYSTEM INSTALLATION MANUAL FOR FABRICATION AND ASSEMBLY INSTRUCTIONS.

FOUR SEASONS SOLAR PRODUCTS, LLC.

5005 VETERANS MEMORIAL HIGHWAY
HOLBROOK, NY 11741
PH: (631) 563-4000

SERIES S-7500
PVC SLIDING PATIO DOOR

REMARKS	DRWN	CHKD	DATE
INIT ISSUE	JEM	AJP	12/21/20

COPYRIGHT ENGINEERING EXPRESS®

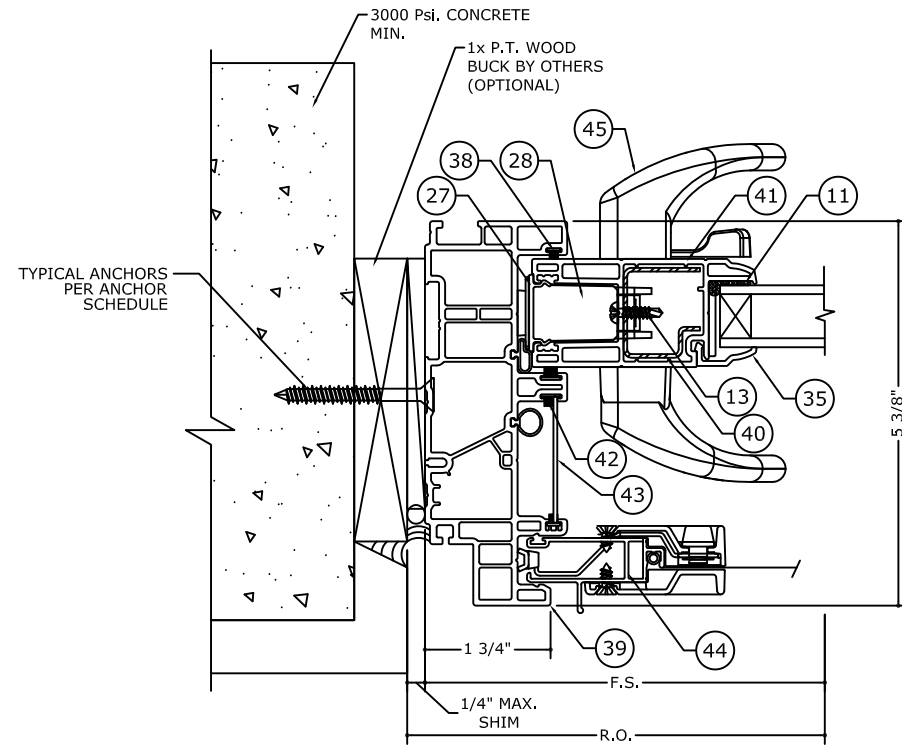
20-33492

SCALE: NTS UNLESS NOTED

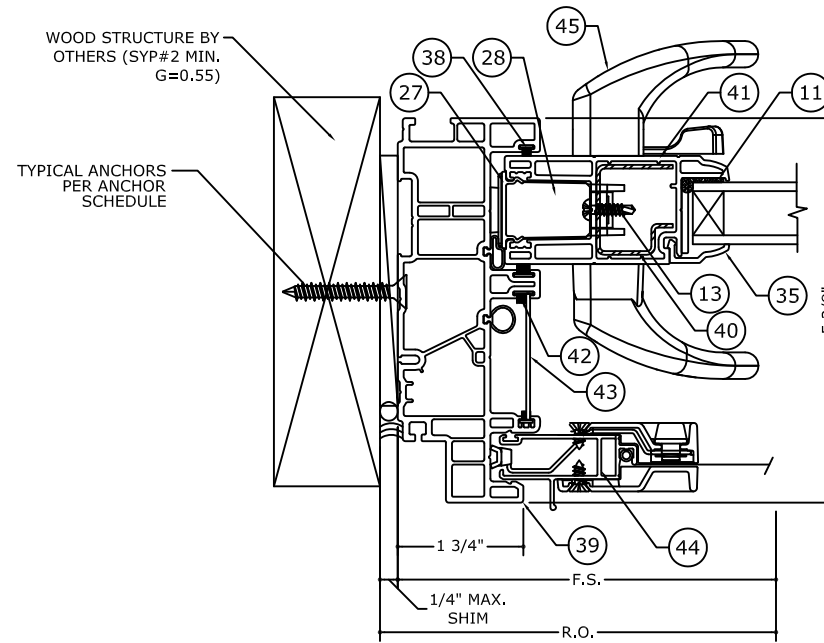
12 OF 18

C:\Users\joem\appdata\local\temp\AcPublish_6716120-33492b PVC Sliding doors (2020 FSA).dwg joem 12/21/2020 - 4:22pm

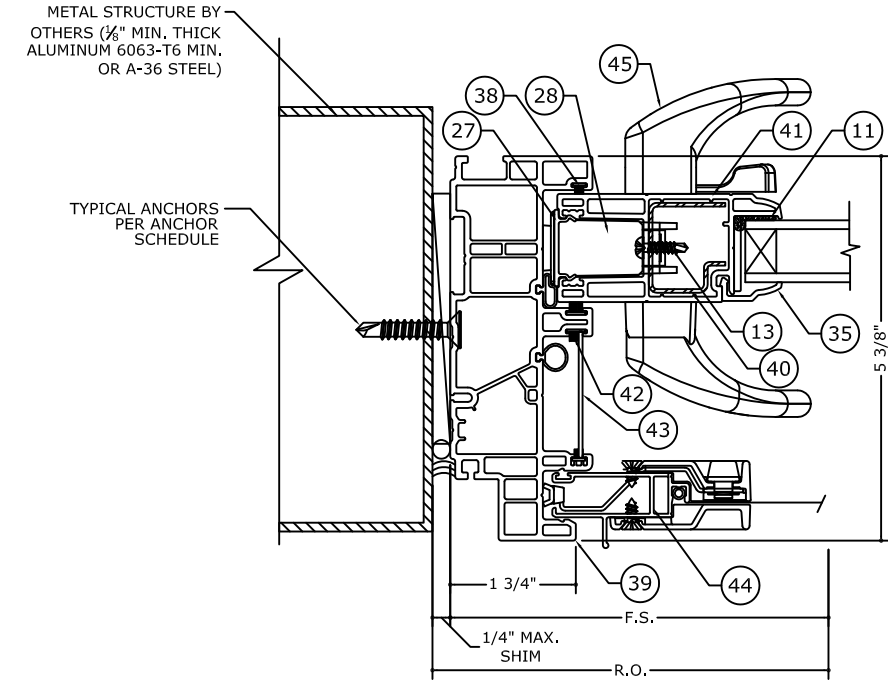
JAMB @ OPERABLE LITE DETAILS



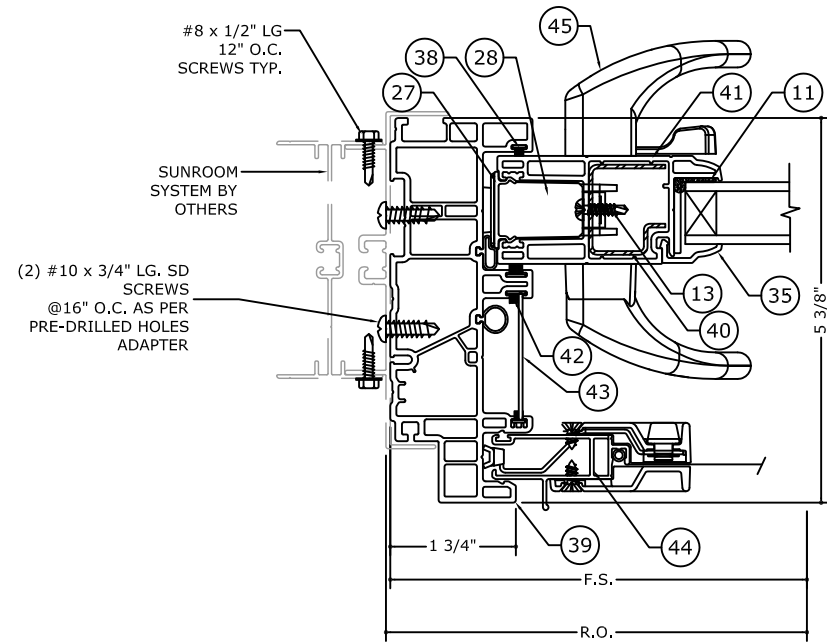
3 JAMB DETAIL
SCALE: N.T.S.



3.1 JAMB DETAIL
SCALE: N.T.S.



3.2 JAMB DETAIL
SCALE: N.T.S.



3.3 JAMB DETAIL
SCALE: N.T.S.

NOTE: REFER TO SYSTEM INSTALLATION MANUAL FOR FABRICATION AND ASSEMBLY INSTRUCTIONS.

FRANK BENNARDO, P.E.
PE# 0046549 CA# 9885



FL#36955.1

ENGINEERING EXPRESS
CORPORATE OFFICE:
160 SW 12th AVE, SUITE 106
DEERFIELD BEACH, FL 33442
(954) 354-0660 | (866) 396-9999
TEAM@ENGINEERINGEXPRESS.COM
ENGINEERINGEXPRESS.COM

FOUR SEASONS SOLAR PRODUCTS, LLC.
5005 VETERANS MEMORIAL HIGHWAY
HOLBROOK, NY 11741
PH: (631) 563-4000
SERIES S-7500
PVC SLIDING PATIO DOOR

REMARKS	DRWN	CHKD	DATE
INIT ISSUE	JEM	AJP	12/21/20

COPYRIGHT ENGINEERING EXPRESS®

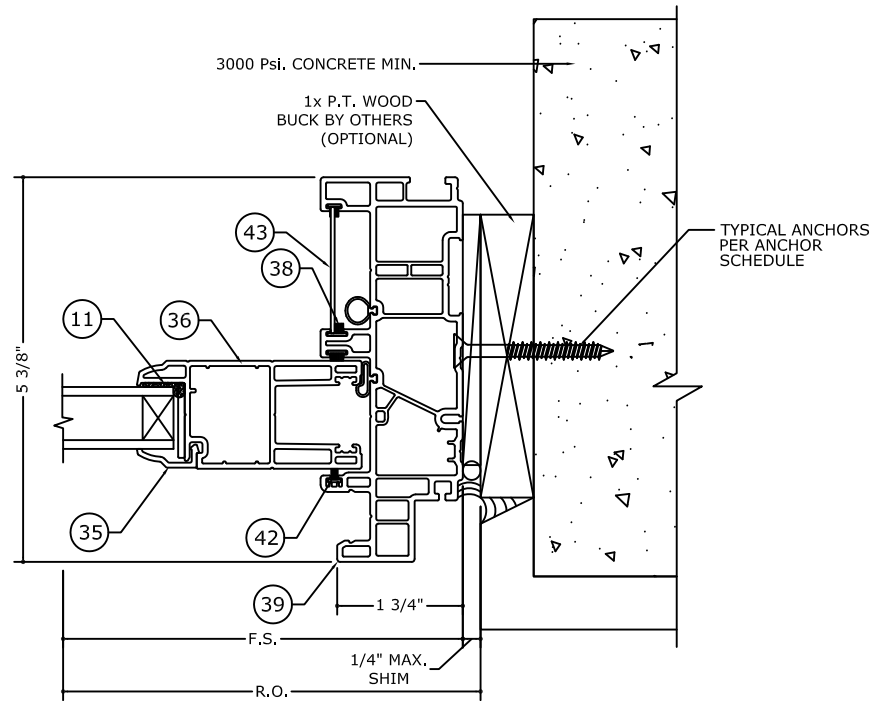
20-33492

SCALE: NTS UNLESS NOTED

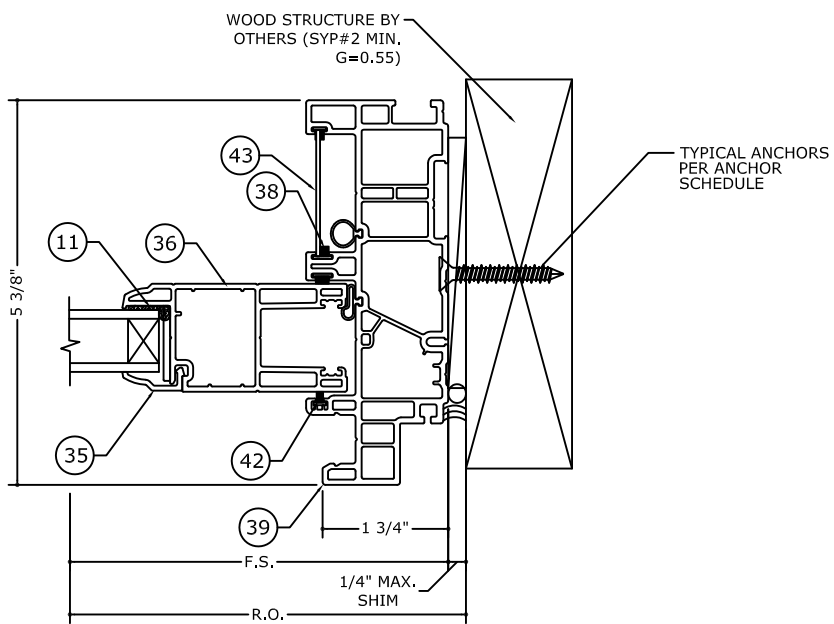
13 OF 18

C:\Users\joem\appdata\local\temp\AcP\publish_6716120-33492b PVC Sliding doors (2020 FSA).dwg joem 12/21/2020 - 4:22pm

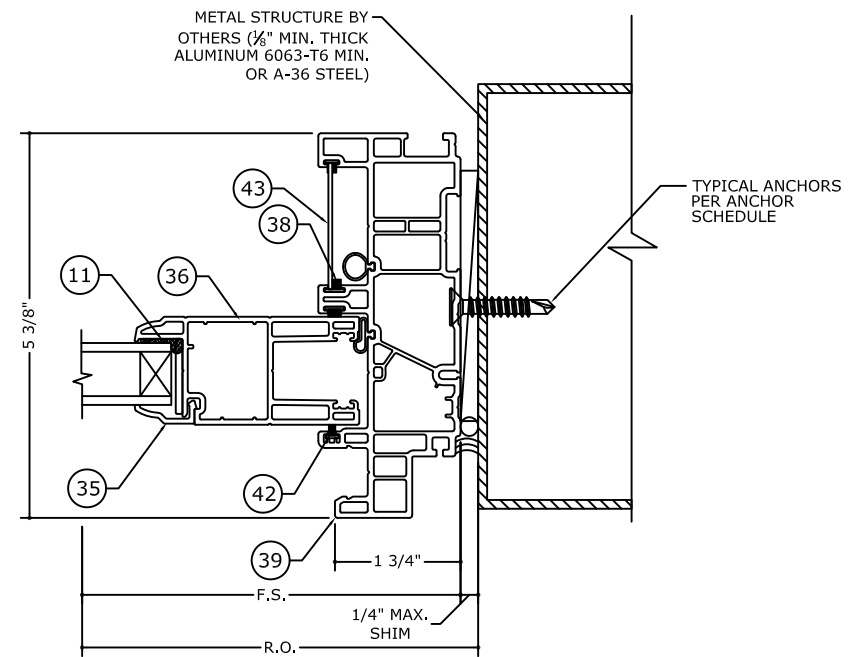
JAMB @ FIXED LITE DETAILS (XO)



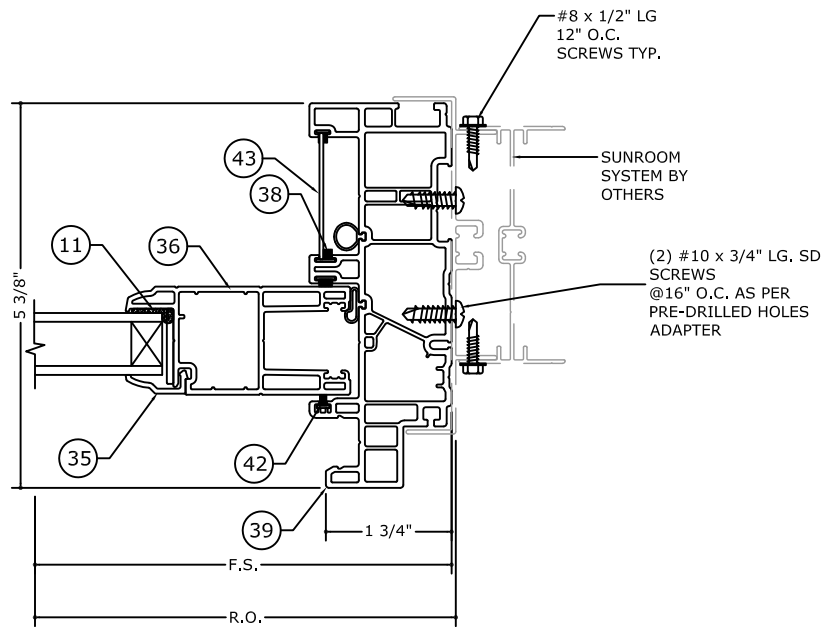
4 JAMB DETAIL
SCALE: N.T.S.



4.1 JAMB DETAIL
SCALE: N.T.S.



4.2 JAMB DETAIL
SCALE: N.T.S.



4.3 JAMB DETAIL
SCALE: N.T.S.

NOTE: REFER TO SYSTEM INSTALLATION MANUAL FOR FABRICATION AND ASSEMBLY INSTRUCTIONS.

FRANK BENNARDO, P.E.
PE# 0046549 CA# 9885



FL#36955.1

ENGINEERING EXPRESS
CORPORATE OFFICE:
160 SW 12th AVE, SUITE 106
DEERFIELD BEACH, FL 33442
(954) 354-0660 | (866) 396-9999
TEAM@ENGINEERINGEXPRESS.COM
ENGINEERINGEXPRESS.COM

FOUR SEASONS SOLAR PRODUCTS, LLC.
5005 VETERANS MEMORIAL HIGHWAY
HOLBROOK, NY 11741
PH: (631) 563-4000
SERIES S-7500
PVC SLIDING PATIO DOOR

REMARKS	DRWN	CHKD	DATE
INIT ISSUE	JEM	AJP	12/21/20

COPYRIGHT ENGINEERING EXPRESS®

20-33492

SCALE: NTS UNLESS NOTED

C:\Users\joem\appdata\local\temp\AcP\publish_6716120-33492b_PVC Sliding doors (2020 FSA).dwg joem 12/21/2020 - 4:22pm

JAMB @ FIXED LITE DETAILS (OXO AND OXXO)

FRANK BENNARDO, P.E.
PE# 0046549 CA# 9885



FL#36955.1

ENGINEERING EXPRESS
CORPORATE OFFICE:
160 SW 12th AVE, SUITE 106
DEERFIELD BEACH, FL 33442
(954) 354-0660 | (866) 396-9999
TEAM@ENGINEERINGEXPRESS.COM
ENGINEERINGEXPRESS.COM

FOUR SEASONS SOLAR PRODUCTS, LLC.
5005 VETERANS MEMORIAL HIGHWAY
HOLBROOK, NY 11741
PH: (631) 563-4000
SERIES S-7500
PVC SLIDING PATIO DOOR

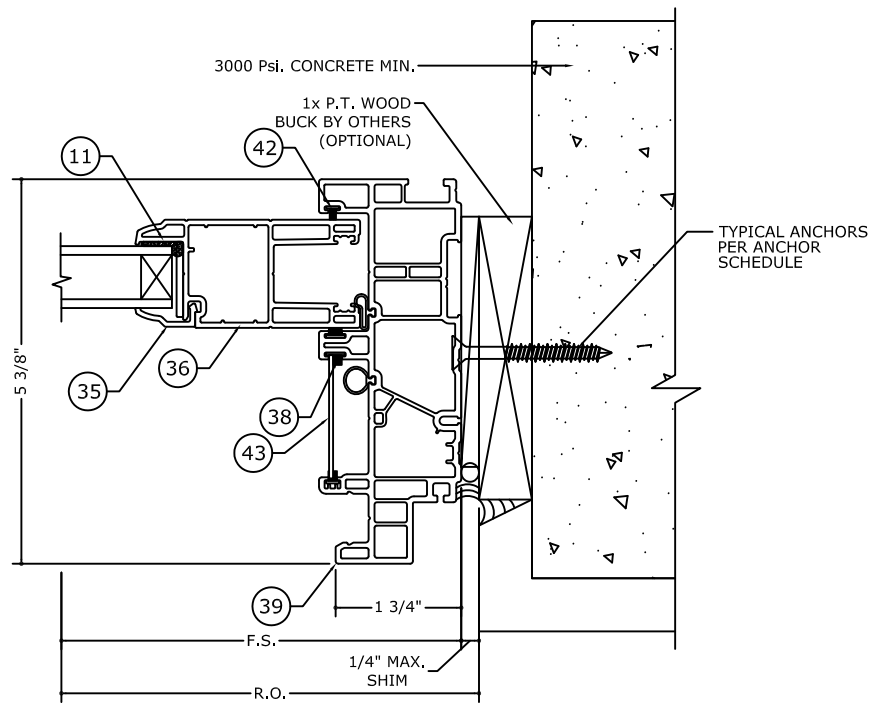
REMARKS	DRWN	CHKD	DATE
INIT ISSUE	JEM	AJP	12/21/20

COPYRIGHT ENGINEERING EXPRESS®

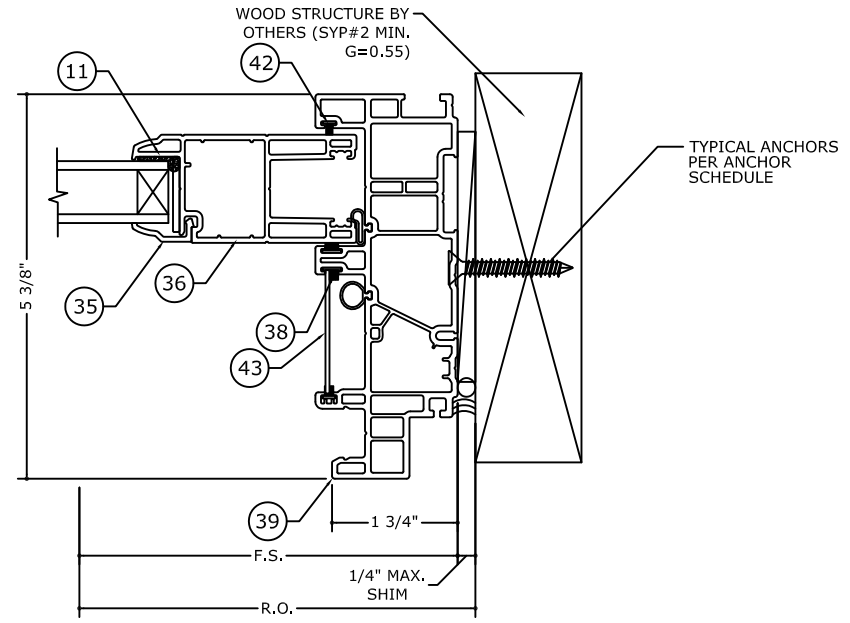
20-33492

SCALE: NTS UNLESS NOTED

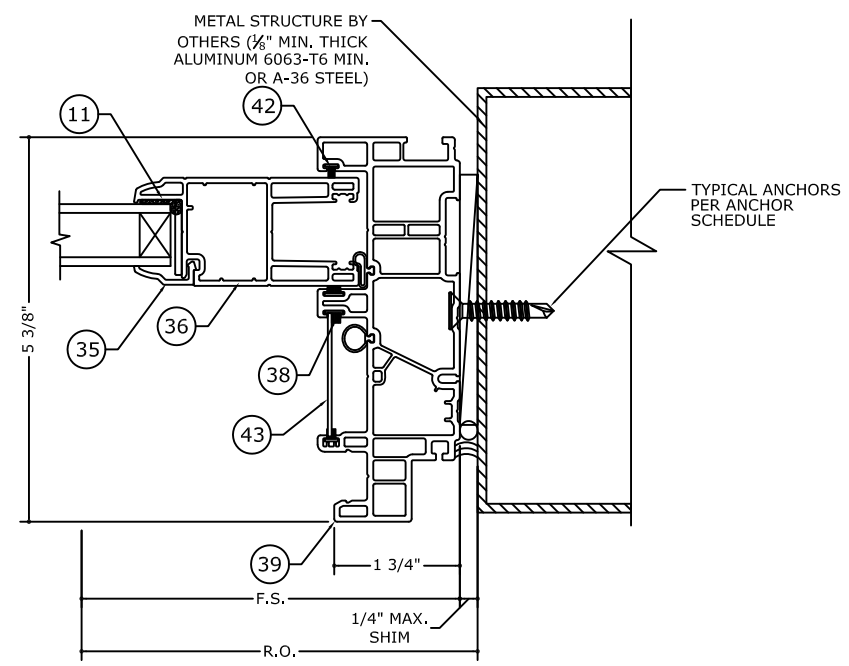
15 OF 18



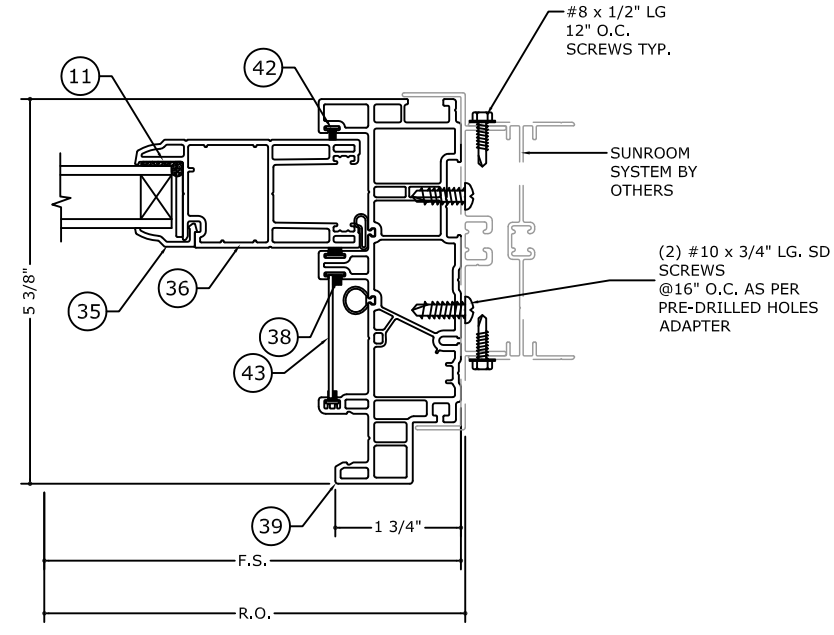
5 JAMB DETAIL
SCALE: N.T.S.



5.1 JAMB DETAIL
SCALE: N.T.S.



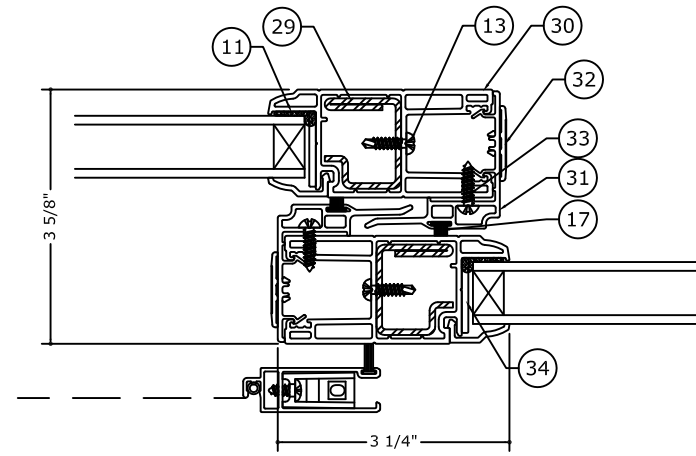
5.2 JAMB DETAIL
SCALE: N.T.S.



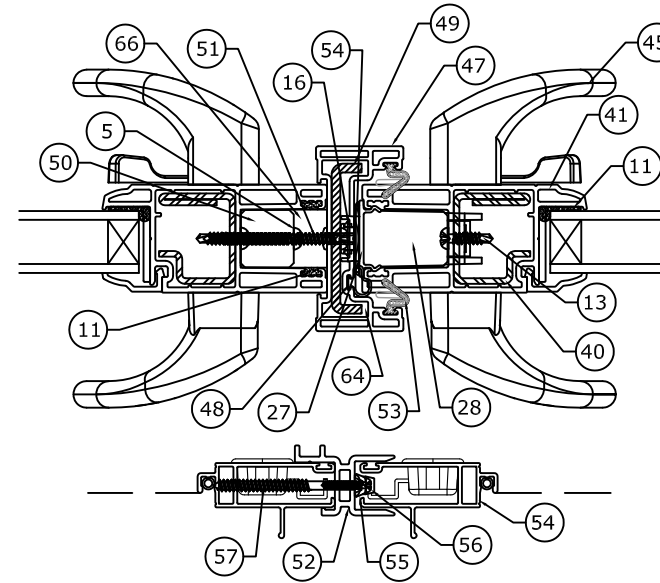
5.3 JAMB DETAIL
SCALE: N.T.S.

C:\Users\joem\appdata\local\temp\AcPublish_6716120-33492b PVC Sliding doors (2020 FSA).dwg joem 12/21/2020 - 4:22pm

INTERLOCK & MEETING STILE DETAILS



6 INTERLOCK DETAIL
SCALE: N.T.S.



7 MEETING STILES DETAIL
SCALE: N.T.S.

FRANK BENNARDO, P.E.
PE# 0046549 CA# 9885



FL#36955.1

ENGINEERING EXPRESS
CORPORATE OFFICE:
160 SW 12th AVE, SUITE 106
DEERFIELD BEACH, FL 33442
(954) 354-0660 | (866) 396-9999
TEAM@ENGINEERINGEXPRESS.COM
ENGINEERINGEXPRESS.COM

FOUR SEASONS SOLAR PRODUCTS, LLC.

5005 VETERANS MEMORIAL HIGHWAY
HOLBROOK, NY 11741
PH: (631) 563-4000

SERIES S-7500
PVC SLIDING PATIO DOOR

REMARKS	DRWN	CHKD	DATE
INIT ISSUE	JEM	AJP	12/21/20

COPYRIGHT ENGINEERING EXPRESS®

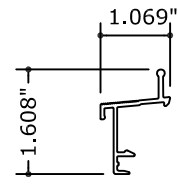
20-33492

SCALE: NTS UNLESS NOTED

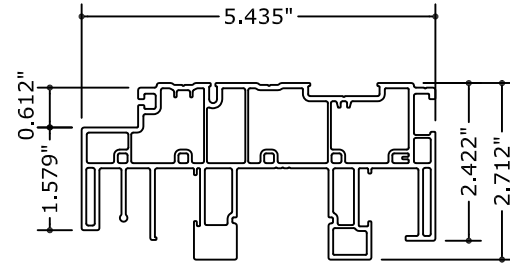
16 OF 18

C:\Users\joem\appdata\local\temp\AcPublish_6716120-33492b PVC Sliding doors (2020 FSA).dwg joem 12/21/2020 - 4:22pm

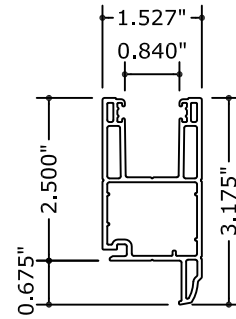
SYSTEM COMPONENTS



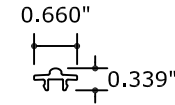
12 9991
SILL CLADDING



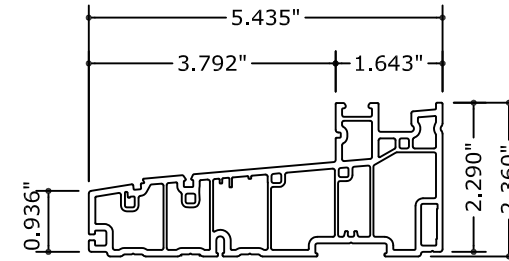
15 7002
HEAD PROFILE



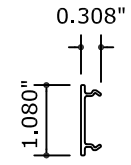
18 7508-F
FIXED HORIZONTAL RAIL



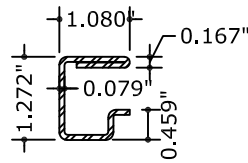
22 9790
SLIDING PANEL RAIL



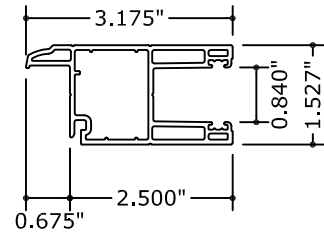
23 7000
DOOR SILL



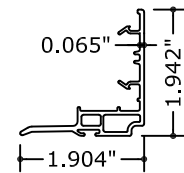
27 7523
SASH CROWNING CAP



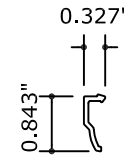
29 9599
CENTER STILE STEEL
REINFORCEMENT



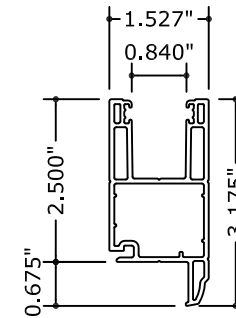
30 7506
CENTER STILE



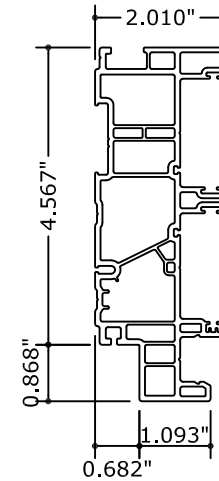
31 7026
INTERLOCK



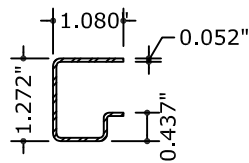
35 5775
GLASS STOP



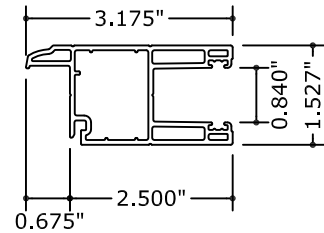
37 7508-M
MOBILE HORIZONTAL RAIL



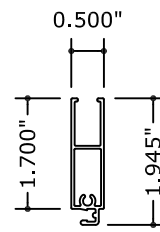
39 7004
JAMB PROFILE



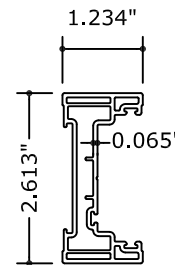
40 9597
MOBILE STILE STEEL
REINFORCEMENT



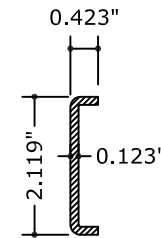
41 7507-M
MOBILE SIDE STILE



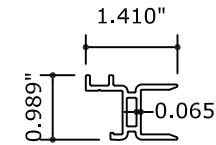
44 SCREEN



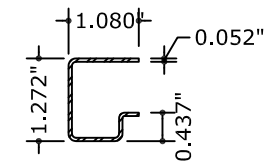
47 7075
MULLION



49 8760
MULLION STEEL
REINFORCEMENT



52 715
SCREEN MULLION



65 9598
FIXED STILE STEEL
REINFORCEMENT



FL#36955.1

ENGINEERING EXPRESS
CORPORATE OFFICE:
160 SW 12th AVE, SUITE 106
DEERFIELD BEACH, FL 33442
(954) 354-0660 | (866) 396-9999
TEAM@ENGINEERINGEXPRESS.COM
ENGINEERINGEXPRESS.COM

FOUR SEASONS SOLAR PRODUCTS, LLC.
5005 VETERANS MEMORIAL HIGHWAY
HOLBROOK, NY 11741
PH: (631) 563-4000

SERIES S-7500
PVC SLIDING PATIO DOOR

REMARKS	DRWN	CHKD	DATE
INIT ISSUE	JEM	AJP	12/21/20

COPYRIGHT ENGINEERING EXPRESS®

20-33492

SCALE: NTS UNLESS NOTED

BILL OF MATERIALS

ITEM NO.	PART NUMBER	DESCRIPTION	MANUFACTURERS
01	9619	#8 X 2 3/4" FH QUADREX WOOD SCREW	P.H. TECH
02	9853	INSECT STOP 1"x 1"x 3/4"	P.H. TECH
03	703	HEAD WEATHERSEAL	P.H. TECH
04	8940	SASH STOPPER	P.H. TECH
05	8941	#8x 1 1/4" PH QUADREX SCREW	P.H. TECH
06	7003	FIXED SASH ANCHOR BLOCK	P.H. TECH
07	9876	#8x 7/8" PH QUADREX SCREW	P.H. TECH
08	723	SILL DUST COVER	P.H. TECH
09	701	FIXED SASH SUPPORT	P.H. TECH
10	9569	INSECT STOP	SCHLEGEL #PBAB-8445-270
11	-	SEALANT	VARIES
12	9991	OUTSIDE SILL CLADDING	P.H. TECH
13	9867	#8 X 5/8" PH QUADREX SELF DRILLING SCREW	P.H. TECH
14	-	GLASS	P.H. TECH
15	7002	HEAD PROFILE	P.H. TECH
16	9867	SCREW CAP	P.H. TECH
17	9550	WEATHERSTRIP	SCHLEGEL #HF-7522-270
18	7508-F	FIXED HORIZONTAL RAIL	P.H. TECH
19	9551	WEATHERSTRIP	SCHLEGEL #OPAB-1.35x0.437
20	9732	TAMDEM WHEEL	P.H. TECH
21	710-MLB66	SILL WEATHERSEAL	P.H. TECH
22	9790	SLIDING PANEL RAIL	P.H. TECH
23	7000	SILL	P.H. TECH
24	9734	WEEP HOLE PLUG	P.H. TECH
25	9808	WEEP HOLE COVER	P.H. TECH
26	9670/9671	LEFT/RIGHT CAP FOR FIXED SASH SUPPORT	P.H. TECH
27	7523	SASH COVERING CAP	P.H. TECH
28	9950-CAPUC	LOCK PLUG	P.H. TECH
29	9599	CENTER STILE STEEL REINFORCEMENT	P.H. TECH
30	7506	CENTER STILE	P.H. TECH
31	7026	INTERLOCK	P.H. TECH

BILL OF MATERIALS

ITEM NO.	PART NUMBER	DESCRIPTION	MANUFACTURERS
32	9862/8842	SLIDING CAP	P.H. TECH
33	9796	#8x 5/8" PH QUANDREX SCREW	P.H. TECH
34	8933	SETTING BLOCK	P.H. TECH
35	5775/5770/5771/5772	GLAZING BEAD	P.H. TECH
36	7587-F	FIXED SIDE STILE	P.H. TECH
37	7508-M	MOBILE HORIZONTAL RAIL	P.H. TECH
38	9560	WEATHERSTRIP	SCHLEGEL #PB-8320-187
39	7004	JAMB PROFILE	P.H. TECH
40	9597	MOBILE SIDE STILE STEEL REINFORCEMENT	P.H. TECH
41	7507-M/7567-M	MOBILE SIDE STILE	P.H. TECH
42	9571	WEATHERSTRIP	SCHLEGEL #PB-8420-270
43	7042	JAMB COVER (OPTION)	P.H. TECH
44	-	SCREEN	P.H. TECH
45	9748	HANDLE KIT	P.H. TECH
46	7541	OUT BEAD WELDED SASH TANDEM WHEEL SHIM	P.H. TECH
47	7075	MULLION	P.H. TECH
48	501	WEATHERSTRIP SCHLEGEL LOZARON LDB100 109T	P.H. TECH
49	8760	MULLION STEEL REINFORCEMENT	P.H. TECH
50	9135	MULLION BLOCK (2x)	P.H. TECH
51	8772	No. 8 X 2", FH, QUADREX SCREW	P.H. TECH
52	715	SCREEN MULLION	P.H. TECH
53	9584	WEATHERSTRIP AMESBURY	TRUTH FOAMTILE #32343
54	9149/9249	MORTISE LOCK KIT /KEEPER	P.H. TECH
55	8960.GACHE	SCREEN KEEPER	P.H. TECH
56	8962	No. 6 X 5/8" PAN HEAD, QUADREX SCREW	P.H. TECH
57	9829	NO. 8 X 2" PAN HEAD, QUADREX SCREW	P.H. TECH
58	9719	SASH STOPPER (OXXO)	P.H. TECH
59	9785	No. 8 X 2" TRUSS HEAD, QUADREX SCREW	P.H. TECH
60	9725	SCREEN STOPPER (OXXO)	P.H. TECH
61	8961	NO. 6 X 3/8" PAN HEAD, QUADREX SCREW	P.H. TECH
62	9726	MOBILE SASH ANCHOR (OXXO) (3X)	P.H. TECH
63	9573	WEATHERSTRIP SCHLEGEL #HF-7524-270	NAP #RPHF027025
64	8771	ASTRAGAL FOAM BLOCK	P.H. TECH
65	9598	FIXED SIDE STILE STEEL REINF. >2081MM	P.H. TECH
66	9873	CORNER BLOCK	P.H. TECH

FRANK BENNARDO, P.E.
PE# 0046549 CA# 9885



FL#36955.1

ENGINEERING EXPRESS
CORPORATE OFFICE:
160 SW 12th AVE, SUITE 106
DEERFIELD BEACH, FL 33442
(954) 354-0660 | (866) 396-9999
TEAM@ENGINEERINGEXPRESS.COM
ENGINEERINGEXPRESS.COM

FOUR SEASONS SOLAR PRODUCTS, LLC.

5005 VETERANS MEMORIAL HIGHWAY
HOLBROOK, NY 11741
PH: (631) 563-4000

SERIES S-7500
PVC SLIDING PATIO DOOR

REMARKS	DATE	DRWN	CHKD
INIT ISSUE	12/21/20	JEM	AJP

COPYRIGHT ENGINEERING EXPRESS®

20-33492

SCALE: NTS UNLESS NOTED

18 OF 18